

# ROGUE

## User Manual



 МУЗЦЕНТР  
МУЗЫКАЛЬНОЕ ОБОРУДОВАНИЕ  
<https://muzcentre.ru>

  
**CHAUVET**  
PROFESSIONAL

<b>Edition Notes</b>	The Rogue R1 FX-B User Manual Rev. 12 covers the description, safety precautions, installation, programming, operation, and maintenance of the Rogue R1 FX-B. Chauvet released this edition of the Rogue R1 FX-B User Manual in February 2023.
<b>Trademarks</b>	Chauvet, Chauvet Professional, the Chauvet logo, and Rogue are registered trademarks or trademarks of Chauvet & Sons, LLC (d/b/a Chauvet and Chauvet Lighting) in the United States and other countries. Other company and product names and logos referred to herein may be trademarks of their respective companies.
<b>Copyright Notice</b>	The works of authorship contained in this manual, including, but not limited to, all design, text and images are owned by Chauvet. © <b>Copyright 2023 Chauvet &amp; Sons, LLC. All rights reserved.</b> Electronically published by Chauvet in the United States of America.
<b>Manual Use</b>	Chauvet authorizes its customers to download and print this manual for professional information purposes only. Chauvet expressly prohibits the usage, copy, storage, distribution, modification, or printing of this manual or its content for any other purpose without written consent from Chauvet.
<b>Document Printing</b>	For better results, print this document in color, on letter size paper (8.5 x 11 in), double-sided. If using A4 paper (210 x 297 mm), configure your printer to scale the content accordingly.
<b>Intended Audience</b>	Any person in charge of installing, operating, and/or maintaining this product should completely read through the guide that shipped with the product, as well as this manual, before installing, operating, or maintaining this product.
<b>Disclaimer</b>	Chauvet believes that the information contained in this manual is accurate in all respects. However, Chauvet assumes no responsibility and specifically disclaims any and all liability to any party for any loss, damage or disruption caused by any errors or omissions in this document, whether such errors or omissions result from negligence, accident or any other cause. Chauvet reserves the right to revise the content of this document without any obligation to notify any person or company of such revision, however, Chauvet has no obligation to make, and does not commit to make, any such revisions.
<b>Document Revision</b>	The Rogue R1 FX-B User Manual is the latest edition of this manual. Go to <a href="http://www.chauvetprofessional.com">www.chauvetprofessional.com</a> for the latest version.

## Table of Contents

<b>1. Before You Begin</b> .....	<b>1</b>
What Is Included .....	1
Claims.....	1
Manual Conventions .....	1
Symbols .....	1
Safety Notes .....	2
Expected LED Lifespan .....	2
<b>2. Introduction</b> .....	<b>3</b>
Description .....	3
Features .....	3
Overview .....	3
Dimensions .....	4
<b>3. Setup</b> .....	<b>5</b>
AC Power .....	5
AC Plug .....	5
Fuse Replacement .....	5
Power Linking .....	5
Mounting .....	6
Orientation .....	6
Signal Connections .....	7
Art-Net™ Connection .....	7
sACN Connection.....	7
Kling-Net Connection .....	7
<b>4. Operation</b> .....	<b>8</b>
Touchscreen Control Panel .....	8
Control Panel Description.....	8
Battery Powered Display.....	8
Menu Map .....	8
Protocol Configuration .....	13
Single Control .....	13
Single Control Protocol .....	13
Single Control Personality.....	13
Single Control Start Address.....	13
Single Control Universe .....	13
Dual Control.....	14
Dual Control Movement .....	14
Dual Control Movement Protocol .....	14
Dual Control Movement Personality .....	14
Dual Control Movement Start Address .....	14
Dual Control Movement Universe .....	14
Dual Control Pixel .....	15
Dual Control Pixel Protocol .....	15
Dual Control Pixel Personality .....	15
Dual Control Pixel Start Address .....	15
Dual Control Pixel Universe .....	15
Zones for Pixel control .....	16
DMX Values .....	16
Single Control Values.....	16
Dual Control Movement Values .....	23
Dual Control Pixel Values.....	26
Operating Settings Configuration .....	27
Home Screen .....	27

Test Mode..... 27  
    Auto Test..... 27  
    Manual Test..... 27  
Setup ..... 27  
    Network Settings..... 28  
        IP Mode..... 28  
        IP Address ..... 28  
        Subnet Mask..... 28  
    Pan/Tilt Orientation ..... 29  
    Display Orientation..... 29  
    Pan/Tilt Angle Range ..... 29  
    Blackout on Pan/Tilt Movement ..... 29  
    Touchscreen Calibration ..... 29  
    Touchscreen Lock..... 29  
    Lock Screen ..... 30  
    Backlight Timer ..... 30  
    Loss of Data..... 30  
    Color Mixing Mode..... 30  
    Dimmer Curve..... 30  
    Dimmer Speed..... 31  
    PWM Option..... 31  
    Color Balance ..... 31  
    Preset Select..... 31  
    Preset Sync..... 32  
    Reset Functions ..... 32  
    Factory Reset..... 32  
    System Information ..... 32  
Offset Mode ..... 33  
**5. Firmware Update..... 34**  
**6. Technical Information..... 37**  
    Product Maintenance ..... 37  
**7. Technical Specifications ..... 38**  
**Contact Us..... 39**  
    Warranty & Returns ..... 39

# 1. Before You Begin

- What Is Included**
- Rogue R1 FX-B
  - Neutrik® powerCON® power cord
  - 2 Omega brackets with mounting hardware
  - Quick Reference Guide

**Claims** Carefully unpack the product immediately and check the box to make sure all the parts are in the package and are in good condition.




If the box or the contents (the product and included accessories) appear damaged from shipping or show signs of mishandling, notify the carrier immediately, not Chauvet. Failure to report damage to the carrier immediately may invalidate your claim. In addition, keep the box and contents for inspection.

For other issues, such as missing components or parts, damage not related to shipping, or concealed damage, file a claim with Chauvet within 7 days of delivery.

## Manual Conventions

Convention	Meaning
1–512	A range of values in the text
50/60	A set of mutually exclusive values in the text
<SET>	A button on the product’s control panel
Settings	A product function or a menu option
ON	A unique value to be entered or selected in a menu

## Symbols

Symbols	Meaning
	Critical installation, configuration, or operation information. Failure to comply with this information may cause the product not to work, damage third-party equipment, or cause harm to the operator.
	Important installation or configuration information. Failure to comply with this information may keep the product from working.
	Useful information.



The term “DMX” used throughout this manual refers to the USITT DMX512-A digital data transmission protocol.

## Safety Notes

Read all the following Safety Notes before working with this product. These notes include important information about the installation, usage, and maintenance of this product.



**This product contains no user-serviceable parts. Any reference to servicing in this User Manual will only apply to properly trained Chauvet certified technicians. Do not open the housing or attempt any repairs.**



**All applicable local codes and regulations apply to proper installation of this product.**

### Personal Safety

- The luminaire should be positioned so that prolonged staring into the luminaire at a distance closer than 31.2 ft (9.5 m) is not expected.
- If the external flexible cable or cord of this luminaire is damaged, it shall be replaced by a special cord or cord exclusively available from the manufacturer or its service agent.
- The light source contained in this luminaire shall only be replaced by the manufacturer or its service agent or a similar qualified person.
- The luminaire is intended for professional use only.
- Avoid direct eye exposure to the light source while the product is on.
- Always disconnect this product from its power source before servicing.
- Always connect this product to a grounded circuit to avoid the risk of electrocution.
- Do not touch this product's housing during operation because it may be very hot.

### Mounting and Rigging

- This product is not intended for permanent installation.
- This product is for indoor use only! To prevent risk of fire or shock, do not expose this product to rain or moisture. (IP20)
- CAUTION: When transferring product from extreme temperature environments, (e.g., cold truck to warm humid ballroom) condensation may form on the internal electronics of the product. To avoid causing a failure, allow product to fully acclimate to the surrounding environment before connecting it to power.
- Mount this product in a location with adequate ventilation, at least 20 in (50 cm) from adjacent surfaces.
- Make sure there are no flammable materials close to this product while it is operating.
- When hanging this product, always secure to a fastening device using a safety cable.
- Never carry the product by the power cord or any moving part.

### Power and Wiring

- Make sure the power cord is not crimped or damaged.
- Always make sure you are connecting this product to the proper voltage in accordance with the specifications in this manual or on the product's specification label.
- To eliminate unnecessary wear and improve its lifespan, during periods of non-use completely disconnect the product from power via breaker or by unplugging it.
- Never connect this product to a dimmer pack or rheostat.
- Make sure to replace the fuse with another of the same type and rating.
- Never disconnect this product by pulling or tugging on the power cable.

### Operation

- Do not operate this product if you see damage on the housing, lenses, or cables. Have the damaged parts replaced by an authorized technician at once.
- Do not cover the ventilation slots when operating to avoid internal overheating.
- The maximum ambient temperature is 113 °F (45 °C). Do not operate this product at a higher temperature.
- In case of a serious operating problem, stop using this product immediately!



**If your Chauvet product requires service, contact Chauvet Technical Support.**

## Expected LED Lifespan

Over time, use and heat will gradually reduce LED brightness. Clustered LEDs produce more heat than single LEDs, contributing to shorter lifespans if always used at full intensity. The average LED lifespan is 40,000 to 50,000 hours. To extend LED lifespan, maintain proper ventilation around the product, and limit the overall intensity.

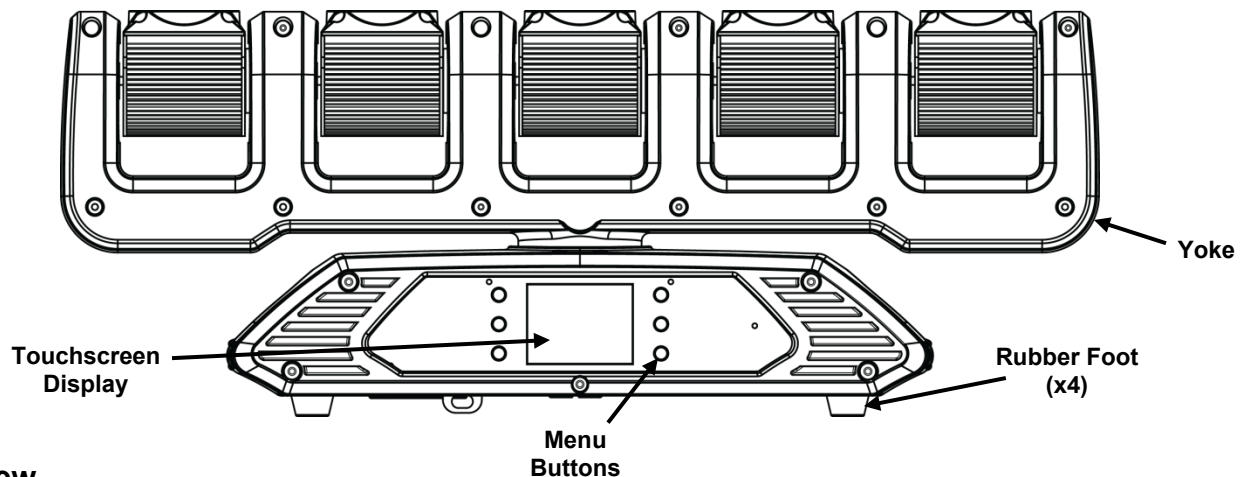
## 2. Introduction

**Description** The Rogue R1 FX-B is a fully featured RGBW LED yoke effect beam product with continuous movement of the pan and each of the five autonomous tilt functions. Pixel map the five beams for unique effects. The Rogue R1 FX-B runs on DMX, Art-Net™, sACN, and Kling-Net protocols, and can be controlled with lighting consoles or media servers, providing the ultimate in flexible control integration options. Convert TCP/IP protocols into DMX output for shorter cable runs.

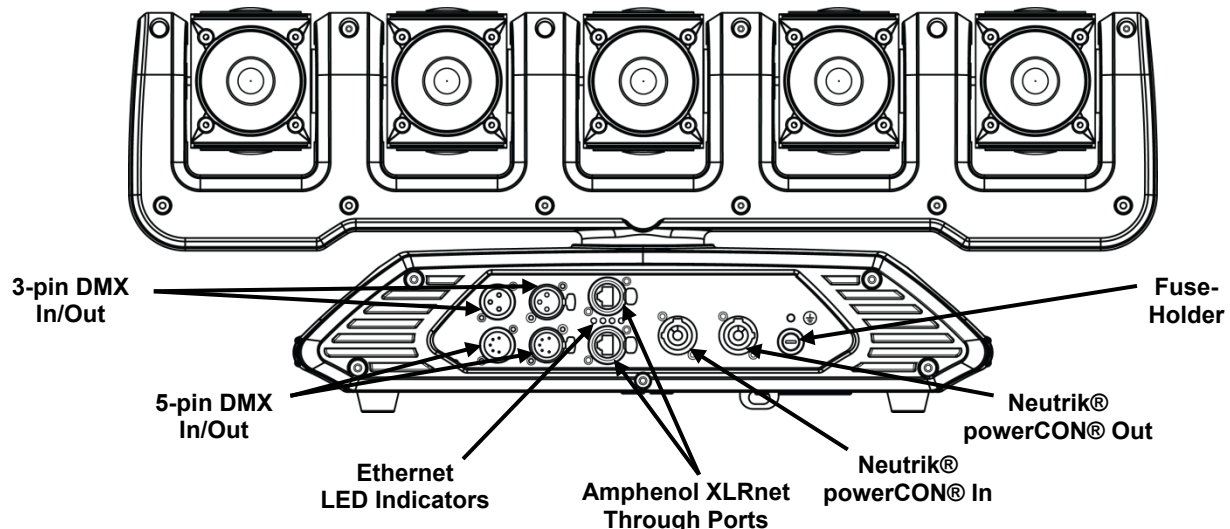
- Features**
- 5 RGBW 15 W LEDs
  - Tight 7° beams.
  - 5,361 lux at 5 meters
  - Continuous and-fast pan/tilt movement
  - Control options include DMX, Art-Net™, sACN, and Kling-Net
  - Neutrik® powerCON® in and out ports
  - Amphenol XLRnet through ports
  - DMX 3- and 5-pin in and out ports
  - Built-in TCP/IP to DMX converter
  - Built-in web server for remote diagnostics and firmware upgrades

### Overview

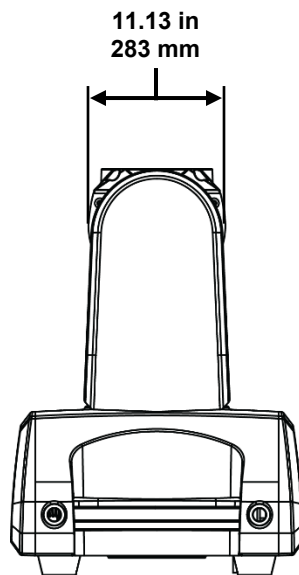
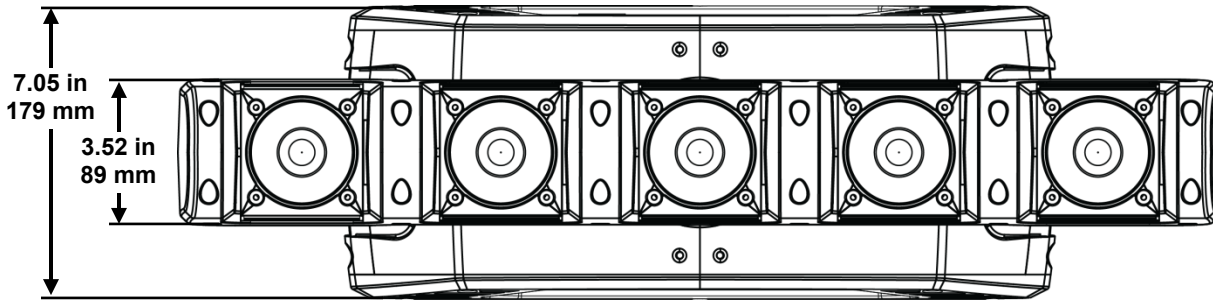
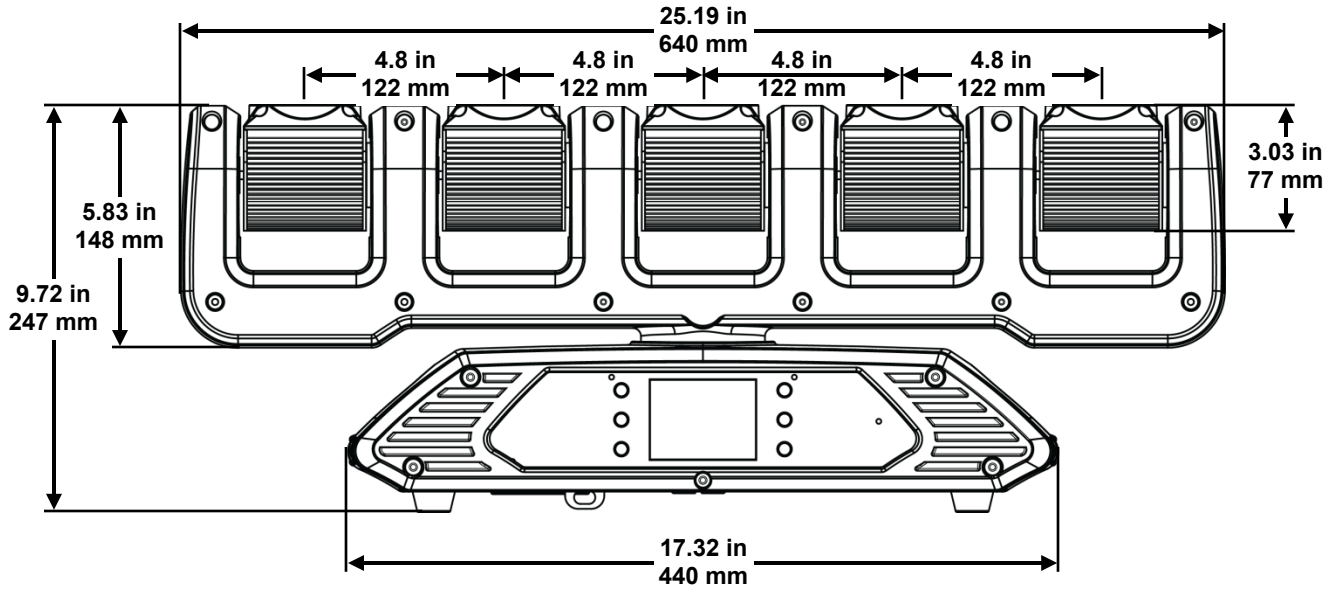
#### Front View



#### Rear View



### Dimensions





### 3. Setup

#### AC Power

Each Rogue R1 FX-B has an auto-ranging power supply that works with an input voltage range of 100 to 240 VAC, 50/60 Hz. To determine the power requirements for each Rogue R1 FX-B, refer to the label affixed to the product. You can also refer to the [Technical Specifications](#) chart in this manual.

The listed current rating indicates the maximum current draw during normal operation. For more information, you may download Sizing Circuit Breakers from the Chauvet website: [www.chauvetprofessional.com](http://www.chauvetprofessional.com).



- **Always connect this product to a protected circuit with an appropriate electrical ground to avoid the risk of electrocution or fire.**
- **Never connect this product to a rheostat (variable resistor) or dimmer circuit, even if the rheostat or dimmer channel serves only as a 0 to 100% switch.**
- **To eliminate unnecessary wear and improve its lifespan, during periods of non-use completely disconnect the product from power via breaker or by unplugging it.**

#### AC Plug

The Rogue R1 FX-B comes with a power input cord terminated with a Neutrik® powerCON® connector on one end and an Edison plug on the other end (U.S. market). If the power input cord that came with your product has no plug, or if you need to change the Edison plug, use the table below to wire the new plug.

Connection	Wire (U.S.)	Wire (Europe)	Screw Color
AC Live	Black	Brown	Yellow or Brass
AC Neutral	White	Blue	Silver
AC Ground	Green/Yellow	Green/Yellow	Green

#### Fuse Replacement

1. Disconnect this product from the power outlet.
2. Using a flat-head screwdriver, unscrew the fuse holder cap from the housing.
3. Remove the blown fuse and replace with another fuse of the same type and rating (F 3 A, 250 V).
4. Screw the fuse holder cap back in place and reconnect power.



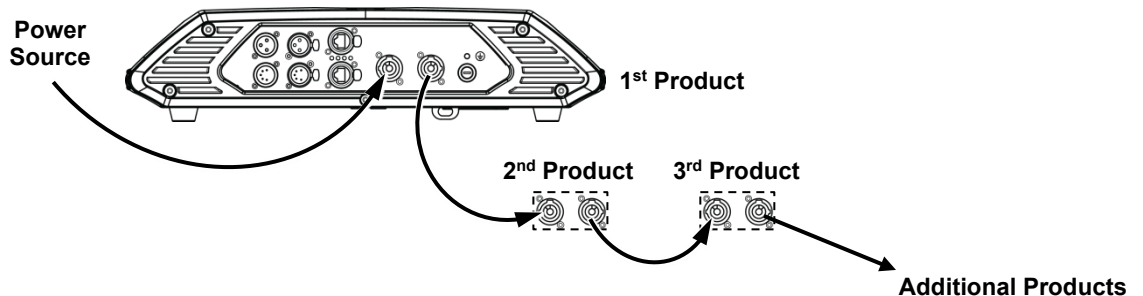
**Make sure to disconnect the product's power cord before replacing a blown fuse. Always replace the blown fuse with another of the same type and rating.**

#### Power Linking

It is possible to link up to 6 Rogue R1 FX-B products at 100 V, 8 products at 120 V, 15 products at 208 V, or up to 16 products at 230 V or 240 V. Never exceed this number.

This product comes with a power input cord. Power linking cables are available from Chauvet for purchase.

Power Linking Diagram



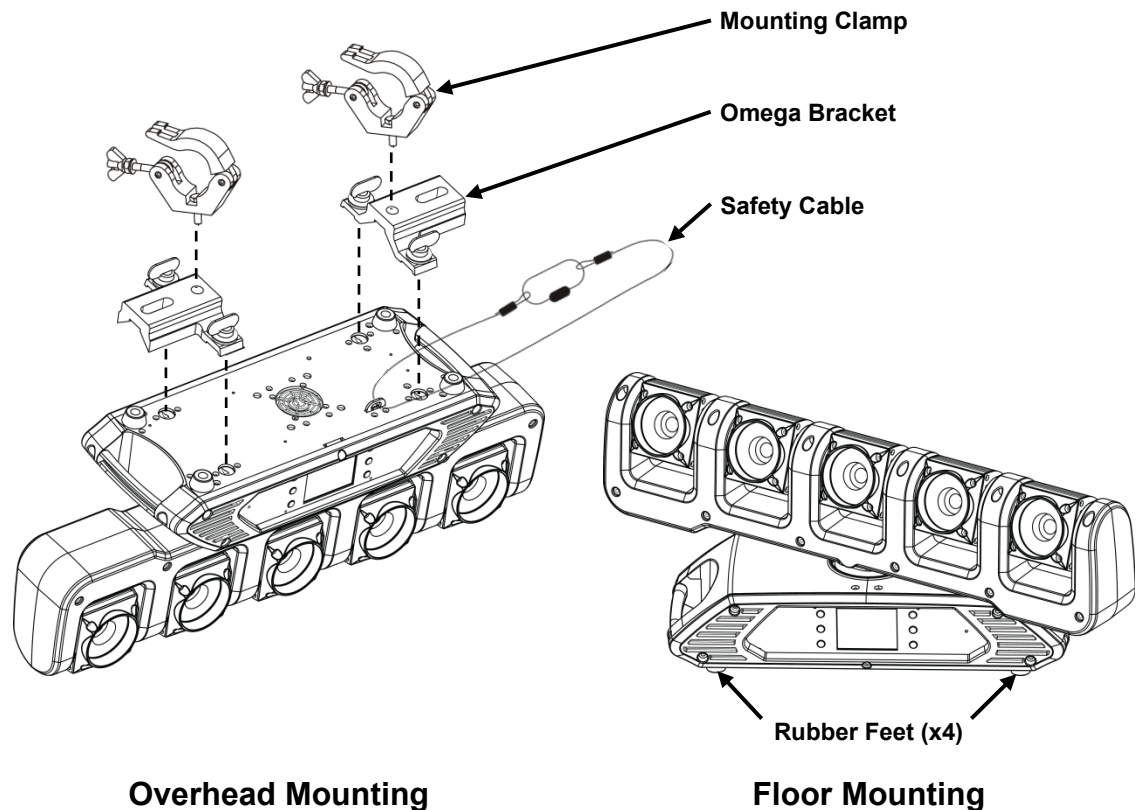
**Mounting** Before mounting this product, read and follow the [Safety Notes](#). For our CHAUVET Professional line of mounting clamps, go to <http://trusst.com/products/>.

**Orientation** Always mount this product in a safe position and make sure there is adequate room for ventilation, configuration, and maintenance. The Rogue R1 FX-B can be suspended upright or upside down using the 2 Omega brackets included, or it can be placed on its rubber feet on a flat level surface.

Chauvet recommends using the following general guidelines when mounting this product:

- When selecting an installation location, consider easy access to this product for operation, programming adjustments, and routine maintenance.
- The product is not intended for permanent installation.
- Make sure to mount this product away from any flammable material as indicated in the [Safety Notes](#).
- Never mount in places where rain, high humidity, extreme temperature changes, or restricted ventilation may affect the product.
- If hanging this product, make sure that the mounting location can support the product's weight. See the [Technical Specifications](#) for the weight-bearing requirements of this product.
- When hanging this product, always secure to a fastening device using a safety cable. For our CHAUVET Professional line of safety cables, go to <http://trusst.com/products/>.
- When mounting the product on the floor, make sure that the product and cables are away from people and vehicles.
- Place the Rogue R1 FX-B so that it can move freely without hitting anything or anybody.
- Leave enough slack on the cabled to prevent tension and pull on the plugs.

### Mounting Diagram



## Signal Connections

The Rogue R1 FX-B can receive DMX, Art-Net™, sACN, or Kling-Net signal. The Rogue R1 FX-B has 2 Neutrik® etherCON® through ports, and 3- and 5-pin DMX in and out ports. For more information about DMX, read the DMX primer at:

[https://www.chauvetprofessional.com/wp-content/uploads/2016/06/DMX\\_Primer.pdf](https://www.chauvetprofessional.com/wp-content/uploads/2016/06/DMX_Primer.pdf).

### Art-Net™ Connection

Art-Net™ is an Ethernet protocol that uses TCP/IP which transfers a large amount of DMX512 data using an Neutrik® etherCON® RJ45 connection over a large network. An Art-Net™ protocol document is available from [www.chauvetprofessional.com](http://www.chauvetprofessional.com).

Art-Net™ designed by and copyright Artistic Licence Holdings Ltd.

### sACN Connection

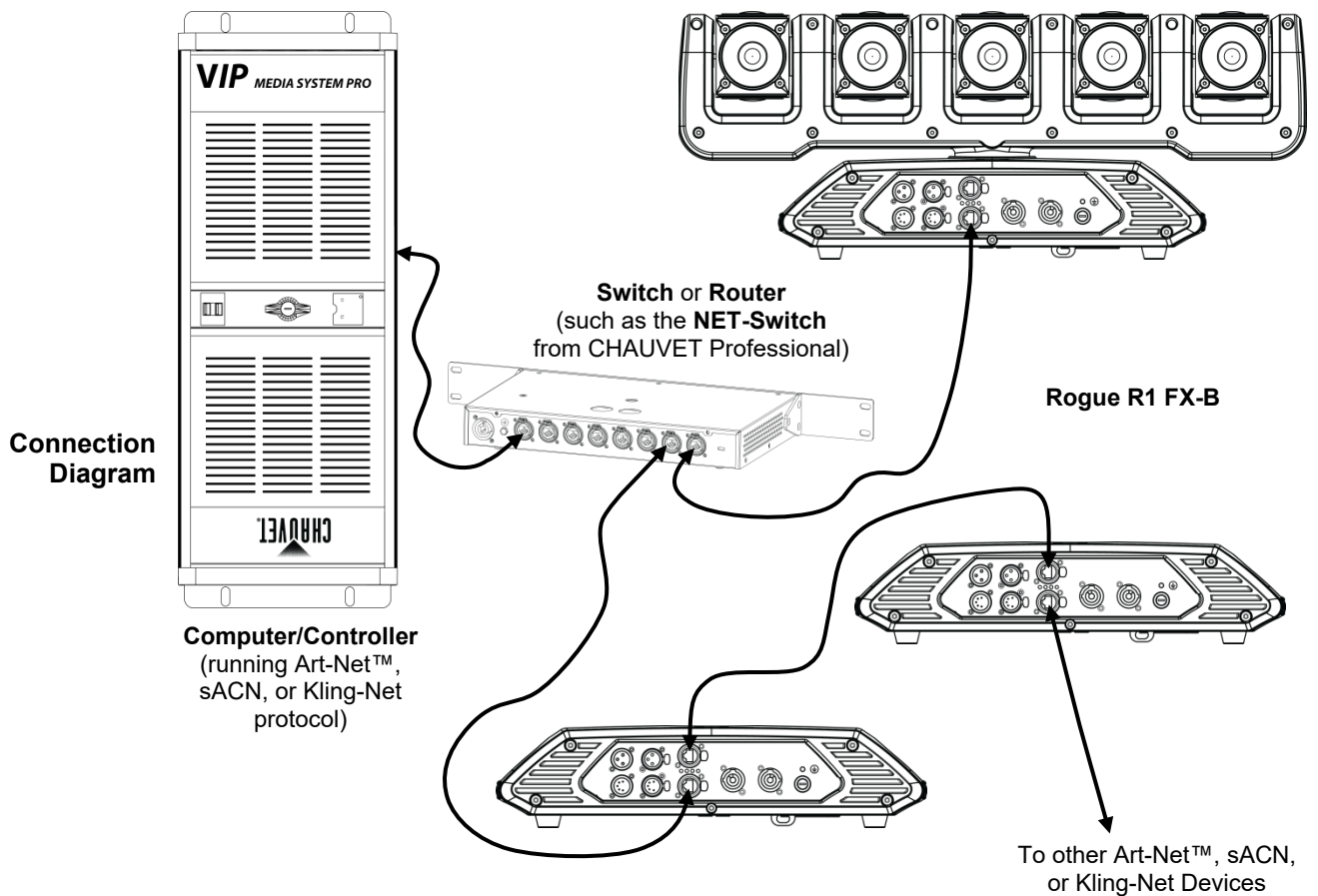
Also known as ANSI E1.31, streaming ACN is an Ethernet protocol that uses the layering and formatting of Architecture for Control Networks to transport DMX512 data over IP or any other ACN compatible network. ACN is maintained by the Professional Lighting and Sound Association (PLASA).

### Kling-Net Connection

Kling-Net is a network protocol that allows auto configuration of display devices using a Neutrik® etherCON® RJ45 Ethernet connection. Refer to the ArKaos software manual for detailed instructions on programming this product.



**ArKaos Kling-Net does not support the pan and tilt functions, and must be paired with another protocol for full functionality with the Rogue R1 FX-B.**



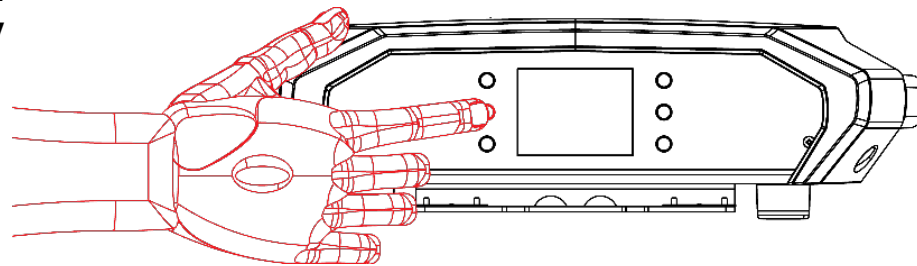
**The three LED indicators in between the Amphenol XLRnet ports indicate a connection to a network and activity on that network. They do not indicate whether or not the Rogue R1 FX-B is receiving a signal from a controller.**

## 4. Operation

**Touchscreen Control Panel** The Rogue R1 FX-B has a touchscreen display as well as 6 control buttons. Navigate the menu structure by pressing the buttons, touching the images of the buttons on the sides of the display, or touching the desired menu option on the display directly. The touchscreen can be locked and calibrated through the **Setup** options in the menu. (see [Touchscreen Calibration](#) and [Touchscreen Lock](#))

Control Panel Description	Button	Function
		Navigates upwards through the menu list or increases the numeric value when in a function
		Exits from the current menu or function
		Navigates downwards through the menu list or decreases the numeric value when in a function
		Navigates leftwards through the menu list
		Enables the currently displayed menu or sets the currently selected value into the selected function
		Navigates rightwards through the menu list

**Battery Powered Display** Press and hold until menu screen appears (approx 15 sec.).



### Menu Map

Refer to the Rogue R1 FX-B product page on [www.chauvetprofessional.com](http://www.chauvetprofessional.com) for the latest menu map.

Main Level	Programming Levels				Description	
Control Settings	Single Control	DMX	Personality	Basic	Sets the DMX personality, from Basic (18CH), Standard (25CH), Advanced (47CH), Tour (47CH) or Tour 2 (52CH)	
				Standard		
				Advanced		
				Tour		
				Tour 2		
				Start Address	001-512	Sets the DMX starting address
		ArtNet	Personality	Basic	Sets the Art-Net™ personality, from Basic (18CH), Standard (25CH), Advanced (47CH), Tour (47CH) or Tour 2 (52CH)	
				Standard		
				Advanced		
				Tour		
				Tour 2		
				Start Address	001-512	Sets the Art-Net™ starting address
				Universe	0-254	Sets the Art-Net™ universe
		sACN	Personality	Basic	Sets the sACN personality, from Basic (18CH), Standard (25CH), Advanced (47CH), Tour (47CH) or Tour 2 (52CH)	
				Standard		
Advanced						
Tour						
Tour 2						
		Start Address	001-512	Sets the sACN starting address		
		Universe	0-255	Sets the sACN universe		

Main Level	Programming Levels				Description	
Control Settings (cont.)	Dual Control	Movement	DMX	Personality	Basic	Sets the DMX personality, from Basic (10CH), Standard (17CH), or Advanced (23CH)
					Standard	
					Advanced	
			ArtNet	Personality	Basic	Sets the Art-Net™ personality, from Basic (10CH), Standard (17CH), or Advanced (23CH)
					Standard	
					Advanced	
			sACN	Personality	Basic	Sets the sACN personality, from Basic (10CH), Standard (17CH), or Advanced (23CH)
					Standard	
					Advanced	
		Pixels	DMX	Personality	RGB	Sets the DMX personality, from RGB (15CH) or RGBW (20CH)
					RGBW	
					Start Address	
			ArtNet	Personality	RGB	Sets the Art-Net™ personality, from RGB (15CH) or RGBW (20CH)
					RGBW	
					Start Address	
			sACN	Personality	RGB	Sets the sACN personality, from RGB (15CH) or RGBW (20CH)
					RGBW	
					Start Address	
		KlingNet	Personality	RGB	Sets the Kling-Net personality, from RGB (15CH) or RGBW (20CH)	
				RGBW		
				Universe		0-255



In Dual Control mode, the Movement protocol and the Pixel protocol cannot be the same.

# Operation



Main Level	Programming Levels		Description	
Test Mode	Manual test	Auto test	Auto test all functions	
		Pan	000–255	
		Pan Speed		
		Pan 360		
		Tilt 1		
		Tilt 2		
		Tilt 3		
		Tilt 4		
		Tilt 5		
		Tilt Speed		
		Tilt 1 360		
		Tilt 2 360		
		Tilt 3 360		
		Tilt 4 360		
		Tilt 5 360		
		Dimmer		
		Shutter		
		Red		
		Green		
		Blue		
White				
Color				
LED Macro				
LED Macro Speed				
Setup	Network Settings	IP Mode	Manual	Manually set IP address
			DHCP	Network sets IP address
		IP Mode	Static	Product sets IP address
		IP	-----	Set IP address in Manual mode
		SubMask	-----	Set Subnet Mask in Manual mode
		NO	Normal pan	
		YES	Reversed pan	
	Pan Reverse	NO		Normal tilt
		YES		Reversed tilt
	Tilt Reverse	NO		Normal display
		YES		Inverted display
	Screen Reverse	AUTO		Automatic display orientation
		540		540° pan range
		360		360° pan range
	Pan Angle	180		180° pan range
		540		540° tilt range
		270		270° tilt range
	Tilt Angle	180		180° tilt range
		NO		Do not black out while panning/tilting
YES			Black out while panning/tilting	
BL. O. P/T Move	NO		Keep current settings	
	YES		Calibrate touchscreen	
Calibration				

Main Level	Programming Levels		Description	
Setup (cont.)	Touchscreen Lock	NO	Display responds to touch	
		YES	Display does not respond to touch	
	Lock Screen	NO	Locks the buttons and touchscreen. Passcode to unlock: 0920	
		YES		
	Backlight Timer	30S	Display turns off after 30 seconds	
		1M	Display turns off after 1 minute	
		5M	Display turns off after 5 minutes	
		ON	Display stays on at all times	
	Loss of Data	Hold	Hold last signal received at signal loss	
		Close	Black out the product at signal loss	
	C Mixing Mode	RGBW	Additive color mixing (0=0, 255=100%)	
		CMY	Subtractive color mixing (0=100%, 255=0)	
	Dimmer Curve	Linear	Set the dimmer curve	
		Square		
		I Squa		
		SCurve		
	Dimmer Speed	Smooth	Set the dimmer speed	
		Fast		
	PWM Option	600Hz	Selects the PWM output frequency	
		1200Hz		
		2000Hz		
		4000Hz		
		6000Hz		
	Color Balance	Red	100–255	Sets red LED maximum value
		Green		Sets green LED maximum value
		Blue		Sets blue LED maximum value
		White		Sets white LED maximum value
Preset Select	PRESET A		Recorded preset menu options	
	PRESET B			
	PRESET C			
Preset Sync	NO		Allows recorded preset menu options to be transferred to other Rogue R1 FX-Bs in the DMX daisy chain	
	YES			
Reset Function	Pan	NO	Reset individual functions or all functions from start-up	
		YES		
	Tilt	NO		
		YES		
All	NO			
	YES			
Factory Settings	NO		Reset to factory default settings	
	YES			
Sys Info	Fixture Information	Ver	V_	Shows firmware version
		Running Mode	---	Shows current running mode
		Address	---	Shows current starting address
		Temperature	--	Shows current product temperature in °C
		Fixture Hours	-----	Shows number of hours product has been powered on
		IP	-----	Shows current IP address
		SubMask	-----	Shows current Subnet Mask
		MAC	-----	Shows current MAC address
Error Information	No Error!*		Shows any errors, or No Error!	

Main Level	Programming Levels		Description
Sys Info (cont.)	Channel Information	Frequency	---
		Pan	
		Pan Fine	
		Pan 360	
		Tilt 1	
		Tilt 1 Fine	
		Tilt 2	
		Tilt 2 Fine	
		Tilt 3	
		Tilt 3 Fine	
		Tilt 4	
		Tilt 4 Fine	
		Tilt 5	
		Tilt 5 Fine	
		Tilt 1 360	
		Tilt 2 360	
		Tilt 3 360	
		Tilt 4 360	
		Tilt 5 360	
		Y Macro	
		Y Macro Speed	
		Function	
		Dimmer	
		Shutter	
		Color	
		Lamp Number	
		LED Macro	
		LED Ma. Speed	
		Red 1	
		Green 1	
		Blue 1	
		White 1	
		Red 2	
		Green 2	
		Blue 2	
		White 2	
		Red 3	
		Green 3	
		Blue 3	
		White 3	
Red 4			
Green 4			
Blue 4			
White 4			
Red 5			
Green 5			
Blue 5			
White 5			

Shows all current values from input signals, 000–255



## Protocol Configuration

The Rogue R1 FX-B can be set to respond to DMX, Art-Net™, sACN, Kling-Net, or a combination of those protocols. The protocol configuration must be set for the product to respond correctly to the controller(s). See the [Menu Map](#) for more information.

### Single Control

In Single Control mode, the Rogue R1 FX-B is controlled by a single protocol input. Choose from DMX, Art-Net™, or sACN. In this mode, the four personalities available are **Basic** (18 channels), **Standard** (25 channels), **Advanced** (47 channels), **Tour** (47CH) and **Tour 2** (52CH).

#### Single Control Protocol

To select the Single Control protocol, follow the instructions below:

1. Press **<MENU>** repeatedly until the [Home Screen](#) shows on the display. Press **<ENTER>**.
2. Use **<UP>**, **<DOWN>**, **<LEFT>**, or **<RIGHT>** to select **Control Settings**, or touch the display where it says **Control Settings**.
3. If using the buttons instead of the touchscreen, press **<ENTER>**.
4. Use **<UP>** or **<DOWN>** to select **Single Control**, or touch the display where it says **Single Control**.
5. If using the buttons instead of the touchscreen, press **<ENTER>**.
6. Use **<UP>** or **<DOWN>** to select from **DMX**, **ArtNet**, or **sACN**, or touch the display where it says the desired protocol option.
7. If using the buttons instead of the touchscreen, press **<ENTER>**.

#### Single Control Personality

To select the Single Control personality, set the [Protocol](#), then do the following:

1. Use **<UP>** or **<DOWN>** to select **Personality**, or touch the display where it says **Personality**.
2. If using the buttons instead of the touchscreen, press **<ENTER>**.
3. Use **<UP>**, **<DOWN>**, **<LEFT>**, or **<RIGHT>** to select from **Basic** (18-channel), **Standard** (25-channel), **Advanced** (47-channel), **Tour** (47CH) or **Tour 2** (52CH), or touch the display where it says the desired personality.
4. If using the buttons instead of the touchscreen, press **<ENTER>**.

#### Single Control Start Address

To set the starting address of the Single Control mode, set the [Protocol](#), then follow the instructions below:

1. Use **<UP>** or **<DOWN>** to select **Start Address**, or touch the display where it says **Start Address**.
2. If using the buttons instead of the touchscreen, press **<ENTER>**.
3. Enter the starting address (**001–512**) with one of the following methods:
  - Type the address number using the number pad that shows on the touchscreen display. or
  - Using the buttons (or the button icons on the sides of the display),
    - a. Use **<LEFT>** or **<RIGHT>** to select the digit to be altered.
    - b. Use **<UP>** or **<DOWN>** to increase or decrease the number value of that digit.
    - c. Repeat until the address is set as desired.
4. Press **<ENTER>**.

#### Single Control Universe

To set the Universe address of the Single Control mode when using Art-Net™ or sACN, set the [Protocol](#) to **ArtNet** or **sACN**, then do the following:

1. Use **<UP>** or **<DOWN>** to select **Universe**, or touch the display where it says **Universe**.
2. If using the buttons instead of the touchscreen, press **<ENTER>**.
3. Enter the universe address (**0–254** for **ArtNet**, **0–255** for **sACN**) with one of the following methods:
  - Type the universe number using the number pad that shows on the touchscreen display. or
  - Using the buttons (or the button icons on the sides of the display),
    - a. Use **<LEFT>** or **<RIGHT>** to select the digit to be altered.
    - b. Use **<UP>** or **<DOWN>** to increase or decrease the number value of that digit.
    - c. Repeat until the universe is set as desired.
4. Press **<ENTER>**.

## Dual Control

In Dual Control mode, the Rogue R1 FX-B is controlled by two protocol inputs. One controls the movement of the yoke as well as the dimmer and shutter, while the other controls the individual LED output.

**Dual Control Movement** The Movement protocol controls the movement of the yoke as well as the dimmer and shutter. Choose from DMX, Art-Net™, or sACN. In this mode, the three personalities available are **Basic** (10 channels), **Standard** (17 channels), and **Advanced** (23 channels).

**Dual Control Movement Protocol** To select the Dual Control Movement protocol, follow the instructions below:

1. Press **<MENU>** repeatedly until the [Home Screen](#) shows on the display. Press **<ENTER>**.
2. Use **<UP>**, **<DOWN>**, **<LEFT>**, or **<RIGHT>** to select **Control Settings**, or touch the display where it says **Control Settings**.
3. If using the buttons instead of the touchscreen, press **<ENTER>**.
4. Use **<UP>** or **<DOWN>** to select **Dual Control**, or touch the display where it says **Dual Control**.
5. If using the buttons instead of the touchscreen, press **<ENTER>**.
6. Use **<UP>** or **<DOWN>** to select **Movement**, or touch the display where it says **Movement**.
7. If using the buttons instead of the touchscreen, press **<ENTER>**.
8. Use **<UP>**, **<DOWN>**, **<LEFT>**, or **<RIGHT>** to select from **DMX**, **ArtNet**, or **sACN**, or touch the display where it says the desired protocol option.
9. If using the buttons instead of the touchscreen, press **<ENTER>**.

**Dual Control Movement Personality** To select the Dual Control Movement personality, set the [Protocol](#), then do the following:

1. Use **<UP>** or **<DOWN>** to select **Personality**, or touch the display where it says **Personality**.
2. If using the buttons instead of the touchscreen, press **<ENTER>**.
3. Use **<UP>**, **<DOWN>**, **<LEFT>**, or **<RIGHT>** to select from **Basic** (10-channel), **Standard** (17-channel), or **Advanced** (23-channel), or touch the display where it says the desired personality.
4. If using the buttons instead of the touchscreen, press **<ENTER>**.

**Dual Control Movement Start Address** To set the starting address of the Dual Control Movement mode, set the [Protocol](#), then follow the instructions below:

1. Use **<UP>** or **<DOWN>** to select **Start Address**, or touch the display where it says **Start Address**.
2. If using the buttons instead of the touchscreen, press **<ENTER>**.
3. Enter the starting address (**001–512**) with one of the following methods:
  - Type the address number using the number pad that shows on the touchscreen display. or
  - Using the buttons (or the button icons on the sides of the display),
    - a. Use **<LEFT>** or **<RIGHT>** to select the digit to be altered.
    - b. Use **<UP>** or **<DOWN>** to increase or decrease the number value of that digit.
    - c. Repeat until the address is set as desired.
4. Press **<ENTER>**.

**Dual Control Movement Universe** To set the Universe address of the Dual Control Movement mode when using Art-Net™ or sACN, set the [Protocol](#) to **ArtNet** or **sACN**, then do the following:

1. Use **<UP>** or **<DOWN>** to select **Universe**, or touch the display where it says **Universe**.
2. If using the buttons instead of the touchscreen, press **<ENTER>**.
3. Enter the universe address (**0–254** for **ArtNet**, **0–255** for **sACN**) with one of the following methods:
  - Type the universe number using the number pad that shows on the touchscreen display. or
  - Using the buttons (or the button icons on the sides of the display),
    - a. Use **<LEFT>** or **<RIGHT>** to select the digit to be altered.
    - b. Use **<UP>** or **<DOWN>** to increase or decrease the number value of that digit.
    - c. Repeat until the universe is set as desired.
4. Press **<ENTER>**.

**Dual Control Pixel** The Pixel protocol controls the individual output of the LEDs. Choose from DMX, Art-Net™, sACN, or Kling-Net. In this mode, the two personalities available are **RGB** (15 channels), and **RGBW** (20 channels).

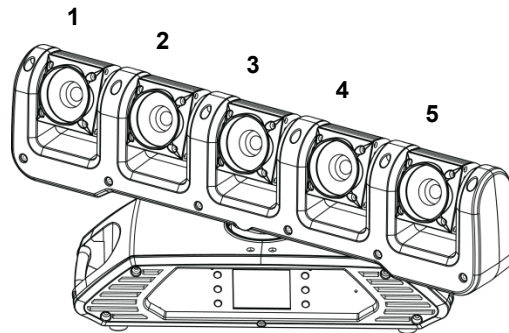
- Dual Control Pixel Protocol** To select the Dual Control Pixel protocol, follow the instructions below:
1. Press **<MENU>** repeatedly until the [Home Screen](#) shows on the display. Press **<ENTER>**.
  2. Use **<UP>**, **<DOWN>**, **<LEFT>**, or **<RIGHT>** to select **Control Settings**, or touch the display where it says **Control Settings**.
  3. If using the buttons instead of the touchscreen, press **<ENTER>**.
  4. Use **<UP>** or **<DOWN>** to select **Dual Control**, or touch the display where it says **Dual Control**.
  5. If using the buttons instead of the touchscreen, press **<ENTER>**.
  6. Use **<UP>** or **<DOWN>** to select **Pixel**, or touch the display where it says **Pixel**.
  7. If using the buttons instead of the touchscreen, press **<ENTER>**.
  8. Use **<UP>**, **<DOWN>**, **<LEFT>**, or **<RIGHT>** to select from **DMX**, **ArtNet**, **sACN**, or **KlingNet**, or touch the display where it says the desired protocol option.
  9. If using the buttons instead of the touchscreen, press **<ENTER>**.

- Dual Control Pixel Personality** To select the Dual Control Pixel personality, set the [Protocol](#), then do the following:
1. Use **<UP>** or **<DOWN>** to select **Personality**, or touch the display where it says **Personality**.
  2. If using the buttons instead of the touchscreen, press **<ENTER>**.
  3. Use **<UP>**, **<DOWN>**, **<LEFT>**, or **<RIGHT>** to select from **RGB** (15-channel) or **RGBW** (20-channel), or touch the display where it says the desired personality.
  4. If using the buttons instead of the touchscreen, press **<ENTER>**.

- Dual Control Pixel Start Address** To set the starting address of the Dual Control Pixel mode, set the [Protocol](#), then follow the instructions below:
1. Use **<UP>** or **<DOWN>** to select **Start Address**, or touch the display where it says **Start Address**.
  2. If using the buttons instead of the touchscreen, press **<ENTER>**.
  3. Enter the starting address (**001–512**) with one of the following methods:
    - Type the address number using the number pad that shows on the touchscreen display. or
    - Using the buttons (or the button icons on the sides of the display),
      - a. Use **<LEFT>** or **<RIGHT>** to select the digit to be altered.
      - b. Use **<UP>** or **<DOWN>** to increase or decrease the number value of that digit.
      - c. Repeat until the address is set as desired.
  4. Press **<ENTER>**.

- Dual Control Pixel Universe** To set the Universe address of the Dual Control Pixel mode when using Art-Net™ or sACN, set the [Protocol](#) to **ArtNet** or **sACN**, then do the following:
1. Use **<UP>** or **<DOWN>** to select **Universe**, or touch the display where it says **Universe**.
  2. If using the buttons instead of the touchscreen, press **<ENTER>**.
  3. Enter the universe address (**0–254** for **ArtNet**, **0–255** for **sACN**) with one of the following methods:
    - Type the universe number using the number pad that shows on the touchscreen display. or
    - Using the buttons (or the button icons on the sides of the display),
      - a. Use **<LEFT>** or **<RIGHT>** to select the digit to be altered.
      - b. Use **<UP>** or **<DOWN>** to increase or decrease the number value of that digit.
      - c. Repeat until the universe is set as desired.
  4. Press **<ENTER>**.

## Zones for Pixel control



## DMX Values

### Single Control Values

T2: Tour 2 (52 channels), T: Tour (47), A: Advanced (47), S: Standard (25), B: Basic (18)

B	S	A	T	T2	Function	Value	Percent/Settings
1	1	1	1	1	Pan	000 ⇄ 255	0–100%
–	–	2	2	2	Fine Pan	000 ⇄ 255	0–100%
2	2	3	3	3	Continuous Pan	000	No function
						001 ⇄ 127	Counterclockwise rotation, slow to fast
						128	Stop
						129 ⇄ 255	Clockwise rotation, slow to fast
–	3	4	–	–	Tilt 1	000 ⇄ 255	0–100%
–	–	5	–	–	Fine Tilt 1	000 ⇄ 255	0–100%
–	4	6	–	–	Tilt 2	000 ⇄ 255	0–100%
–	–	7	–	–	Fine Tilt 2	000 ⇄ 255	0–100%
–	5	8	–	–	Tilt 3	000 ⇄ 255	0–100%
–	–	9	–	–	Fine Tilt 3	000 ⇄ 255	0–100%
–	6	10	–	–	Tilt 4	000 ⇄ 255	0–100%
–	–	11	–	–	Fine Tilt 4	000 ⇄ 255	0–100%
–	7	12	–	–	Tilt 5	000 ⇄ 255	0–100%
–	–	13	–	–	Fine Tilt 5	000 ⇄ 255	0–100%
–	8	14	–	–	Continuous Tilt 1	000	No function
						001 ⇄ 127	Counterclockwise rotation, slow to fast
						128	Stop
						129 ⇄ 255	Clockwise rotation, slow to fast
–	9	15	–	–	Continuous Tilt 2	000	No function
						001 ⇄ 127	Counterclockwise rotation, slow to fast
						128	Stop
						129 ⇄ 255	Clockwise rotation, slow to fast
–	10	16	–	–	Continuous Tilt 3	000	No function
						001 ⇄ 127	Counterclockwise rotation, slow to fast
						128	Stop
						129 ⇄ 255	Clockwise rotation, slow to fast
–	11	17	–	–	Continuous Tilt 4	000	No function
						001 ⇄ 127	Counterclockwise rotation, slow to fast
						128	Stop
						129 ⇄ 255	Clockwise rotation, slow to fast
–	12	18	–	–	Continuous Tilt 5	000	No function
						001 ⇄ 127	Counterclockwise rotation, slow to fast
						128	Stop
						129 ⇄ 255	Clockwise rotation, slow to fast

B	S	A	T	T2	Function	Value	Percent/Settings
3	-	-	-	-	Tilt All	000 ⇄ 255	0–100%
4	-	-	-	-	Continuous Tilt All	000	No function
						001 ⇄ 127	Counterclockwise rotation, slow to fast
						128	Stop
						129 ⇄ 255	Clockwise rotation, slow to fast
5	-	-	-	-	Tilt Offset	000 ⇄ 255	Offset heads from each other, 0–360°
6	13	19	4	4	Tilt Macro	000 ⇄ 047	No function
						048 ⇄ 055	Tilt Macro 1
						056 ⇄ 063	Tilt Macro 2
						064 ⇄ 071	Tilt Macro 3
						072 ⇄ 079	Tilt Macro 4
						080 ⇄ 087	Tilt Macro 5
						088 ⇄ 095	Tilt Macro 6
						096 ⇄ 103	Tilt Macro 7
						104 ⇄ 111	Tilt Macro 8
						112 ⇄ 119	Tilt Macro 9
						120 ⇄ 127	Tilt Macro 10
						128 ⇄ 135	Tilt Macro 11
						136 ⇄ 143	Tilt Macro 12
						144 ⇄ 151	Tilt Macro 13
						152 ⇄ 159	Tilt Macro 14
						160 ⇄ 167	Tilt Macro 15
						168 ⇄ 175	Tilt Macro 16
						176 ⇄ 183	Tilt Macro 17
						184 ⇄ 191	Tilt Macro 18
						192 ⇄ 199	Tilt Macro 19
						200 ⇄ 207	Tilt Macro 20
						208 ⇄ 215	Tilt Macro 21
						216 ⇄ 223	Tilt Macro 22
						224 ⇄ 231	Tilt Macro 23
						232 ⇄ 239	Tilt Macro 24
						240 ⇄ 247	Tilt Macro 25
248 ⇄ 255	Tilt Macro 26						
7	14	20	5	5	Tilt Macro Speed	000 ⇄ 255	Fast to slow

# Operation



B	S	A	T	T2	Function	Value	Percent/Settings
8	15	21	6	6	Control	000⇔009	No function
						010⇔014	Manual tilt blackout
						015⇔019	Cancel manual tilt blackout
						020⇔024	1 fixture macro
						025⇔029	2 fixture macro 1
						030⇔034	2 fixture macro 2
						035⇔039	4 fixture macro 1
						040⇔044	4 fixture macro 2
						045⇔049	4 fixture macro 3
						050⇔054	4 fixture macro 4
						055⇔059	Pan reset
						060⇔064	Tilt reset
						065⇔069	No function (reserved for future use)
						070⇔074	Reset all
						075⇔079	No function (reserved for future use)
						080⇔084	Pan/Tilt reverse
						085⇔089	Pan reverse
						090⇔094	Tilt reverse
						095⇔099	Cancel pan reverse
						100⇔104	Cancel tilt reverse
						105⇔109	Cancel pan/tilt reverse
						110⇔114	No function (reserved for future use)
						115⇔119	Link all heads to head 1
120⇔124	Unlink all heads from head 1						
125⇔134	No function (reserved for future use)						
135⇔139	Dimmer speed mode fast						
140⇔144	Dimmer speed mode smooth						
145⇔255	No function						
9	16	22	7	7	Dimmer	000⇔255	0–100%
10	17	23	8	8	Shutter	000⇔019	Off
						020⇔024	On
						025⇔064	Strobe 1, fast to slow
						065⇔069	On
						070⇔084	Strobe 2 (Fast on, slow off), fast to slow
						085⇔089	On
						090⇔104	Strobe 3 (Slow on, fast off), fast to slow
						104⇔109	On
						110⇔124	Strobe 4 (Random), fast to slow
						125⇔129	On
						130⇔144	Strobe 5 (Random fast on, slow off), fast to slow
						145⇔149	On
						150⇔164	Strobe 6 (Random slow on, fast off), fast to slow
						165⇔169	On
						170⇔184	Strobe 7 (Pulse), fast to slow
						185⇔189	On
						190⇔204	Strobe 8 (Random pulse), fast to slow
						205⇔209	On
						210⇔224	Strobe 9 (Fade in, fade out), fast to slow
						225⇔229	On
230⇔244	Strobe 10 (Random pulse), fast to slow						
245⇔255	On						

B	S	A	T	T2	Function	Value	Percent/Settings
11	18	24	9	9	Color Macro	000 ⇔ 013	No function
						014 ⇔ 020	Color 1
						021 ⇔ 028	Color 2
						029 ⇔ 036	Color 3
						037 ⇔ 044	Color 4
						045 ⇔ 052	Color 5
						053 ⇔ 060	Color 6
						061 ⇔ 068	Color 7
						069 ⇔ 076	Color 8
						077 ⇔ 084	Color 9
						085 ⇔ 092	Color 10
						093 ⇔ 100	Color 11
						101 ⇔ 108	Color 12
						109 ⇔ 116	Color 13
						117 ⇔ 124	Color 14
						125 ⇔ 133	Color 15
						134 ⇔ 185	No function
						186 ⇔ 207	Rainbow effect, fast to slow
						208 ⇔ 213	Stop
						214 ⇔ 235	Reverse Rainbow effect, fast to slow
236 ⇔ 240	No function						
241 ⇔ 255	Color jump, fast to slow						

# Operation



B	S	A	T	T2	Function	Value	Percent/Settings				
							Head 1	Head 2	Head 3	Head 4	Head 5
12	19	25	10	10	On/Off Preset (● = on; ○ = off)	000 ⇔ 005	●	●	●	●	●
						006 ⇔ 011	○	●	●	●	●
						012 ⇔ 017	○	○	●	●	●
						018 ⇔ 023	○	○	○	●	●
						024 ⇔ 029	○	○	○	○	●
						030 ⇔ 035	○	○	○	○	○
						036 ⇔ 041	●	○	○	○	○
						042 ⇔ 047	●	●	○	○	○
						048 ⇔ 053	●	●	●	○	○
						054 ⇔ 059	●	●	●	●	○
						060 ⇔ 065	●	●	●	●	●
						066 ⇔ 071	○	○	○	○	○
						072 ⇔ 077	●	○	○	○	○
						078 ⇔ 083	○	●	○	○	○
						084 ⇔ 089	○	○	●	○	○
						090 ⇔ 095	○	○	○	●	○
						096 ⇔ 101	○	○	○	○	●
						102 ⇔ 107	○	○	○	○	○
						108 ⇔ 113	●	●	○	○	○
						114 ⇔ 119	○	●	●	○	○
						120 ⇔ 125	○	○	●	●	○
						126 ⇔ 131	○	○	○	●	●
						132 ⇔ 137	●	○	○	○	●
						138 ⇔ 143	○	○	○	○	○
						144 ⇔ 149	○	●	●	●	●
						150 ⇔ 155	●	○	●	●	●
						156 ⇔ 161	●	●	○	●	●
						162 ⇔ 167	●	●	●	○	●
						168 ⇔ 173	●	●	●	●	○
						174 ⇔ 179	○	○	○	○	○
						180 ⇔ 185	○	○	○	○	●
						186 ⇔ 191	○	○	○	●	●
192 ⇔ 197	○	○	●	●	●						
198 ⇔ 203	○	●	●	●	●						
204 ⇔ 209	●	●	●	●	●						
210 ⇔ 215	○	○	○	○	○						
216 ⇔ 221	●	●	●	○	○						
222 ⇔ 227	○	●	●	●	○						
228 ⇔ 233	○	○	●	●	●						
234 ⇔ 239	●	○	○	●	●						
240 ⇔ 245	●	●	○	○	●						
246 ⇔ 255	●	●	●	●	●						



B	S	A	T	T2	Function	Value	Percent/Settings
13	20	26	11	11	LED Macro/ Auto Program	000 ⇄ 015	No function
						016 ⇄ 020	LED Macro 1
						021 ⇄ 025	LED Macro 2
						026 ⇄ 030	LED Macro 3
						031 ⇄ 035	LED Macro 4
						036 ⇄ 040	LED Macro 5
						041 ⇄ 045	LED Macro 6
						046 ⇄ 050	LED Macro 7
						051 ⇄ 055	LED Macro 8
						056 ⇄ 060	LED Macro 9
						061 ⇄ 065	LED Macro 10
						066 ⇄ 070	LED Macro 11
						071 ⇄ 075	LED Macro 12
						076 ⇄ 080	LED Macro 13
						081 ⇄ 085	LED Macro 14
						086 ⇄ 090	LED Macro 15
						091 ⇄ 095	LED Macro 16
						096 ⇄ 100	LED Macro 17
						101 ⇄ 105	LED Macro 18
						106 ⇄ 110	LED Macro 19
						111 ⇄ 115	LED Macro 20
						116 ⇄ 120	LED Macro 21
						121 ⇄ 125	LED Macro 22
						126 ⇄ 130	LED Macro 23
						131 ⇄ 135	LED Macro 24 (cycle 1–23)
						136 ⇄ 140	Auto program 1
						141 ⇄ 145	Auto program 2
						146 ⇄ 150	Auto program 3
						151 ⇄ 155	Auto program 4
						156 ⇄ 160	Auto program 5
						161 ⇄ 165	Auto program 6
						166 ⇄ 170	Auto program 7
171 ⇄ 175	Auto program 8						
176 ⇄ 180	Auto program 9						
181 ⇄ 185	Auto program 10						
186 ⇄ 190	Auto program 11						
191 ⇄ 195	Auto program 12						
196 ⇄ 200	Auto program 13						
201 ⇄ 205	Auto program 14						
206 ⇄ 210	Auto program 15						
211 ⇄ 215	Auto program 16						
216 ⇄ 220	Auto program 17						
221 ⇄ 225	Auto program 18						
226 ⇄ 230	Auto program 19						
231 ⇄ 235	Auto program 20						
236 ⇄ 240	Auto program 21						
241 ⇄ 245	Auto program 22						
246 ⇄ 250	Auto program 23						
251 ⇄ 255	Auto program 24 (cycle 1–23)						
14	21	27	12	12	LED Macro Speed	000 ⇄ 255	Slow to fast

# Operation



B	S	A	T	T2	Function	Value	Percent/Settings
15	22	-	-	-	Red	000 ⇄ 255	RGBW mode: 0–100% / CMY mode: 100%–0
16	23	-	-	-	Green	000 ⇄ 255	RGBW mode: 0–100% / CMY mode: 100%–0
17	24	-	-	-	Blue	000 ⇄ 255	RGBW mode: 0–100% / CMY mode: 100%–0
18	25	-	-	-	White	000 ⇄ 255	RGBW mode: 0–100% / CMY mode: 100%–0
-	-	-	13	13	Tilt 1	000 ⇄ 255	0–100%
-	-	-	14	14	Fine Tilt 1	000 ⇄ 255	0–100%
-	-	-	15	15	Continuous Tilt 1	000	No function
-	-	-	15	15		001 ⇄ 127	Counterclockwise rotation, slow to fast
-	-	-	15	15		128	Stop
-	-	-	15	15		129 ⇄ 255	Clockwise rotation, slow to fast
-	-	-	-	16	Head 1 Dimmer	000 ⇄ 255	0–100%
-	-	28	16	17	Head 1 Red	000 ⇄ 255	RGBW mode: 0–100% / CMY mode: 100%–0
-	-	29	17	18	Head 1 Green	000 ⇄ 255	RGBW mode: 0–100% / CMY mode: 100%–0
-	-	30	18	19	Head 1 Blue	000 ⇄ 255	RGBW mode: 0–100% / CMY mode: 100%–0
-	-	31	19	20	Head 1 White	000 ⇄ 255	RGBW mode: 0–100% / CMY mode: 100%–0
-	-	-	20	21	Tilt 2	000 ⇄ 255	0–100%
-	-	-	21	22	Fine Tilt 2	000 ⇄ 255	0–100%
-	-	-	22	23	Continuous Tilt 2	000	No function
-	-	-	22	23		001 ⇄ 127	Counterclockwise rotation, slow to fast
-	-	-	22	23		128	Stop
-	-	-	22	23		129 ⇄ 255	Clockwise rotation, slow to fast
-	-	-	-	24	Head 2 Dimmer	000 ⇄ 255	0–100%
-	-	32	23	25	Head 2 Red	000 ⇄ 255	RGBW mode: 0–100% / CMY mode: 100%–0
-	-	33	24	26	Head 2 Green	000 ⇄ 255	RGBW mode: 0–100% / CMY mode: 100%–0
-	-	34	25	27	Head 2 Blue	000 ⇄ 255	RGBW mode: 0–100% / CMY mode: 100%–0
-	-	35	26	28	Head 2 White	000 ⇄ 255	RGBW mode: 0–100% / CMY mode: 100%–0
-	-	-	27	29	Tilt 3	000 ⇄ 255	0–100%
-	-	-	28	30	Fine Tilt 3	000 ⇄ 255	0–100%
-	-	-	29	31	Continuous Tilt 3	000	No function
-	-	-	29	31		001 ⇄ 127	Counterclockwise rotation, slow to fast
-	-	-	29	31		128	Stop
-	-	-	29	31		129 ⇄ 255	Clockwise rotation, slow to fast
-	-	-	-	32	Head 3 Dimmer	000 ⇄ 255	0–100%
-	-	36	30	33	Head 3 Red	000 ⇄ 255	RGBW mode: 0–100% / CMY mode: 100%–0
-	-	37	31	34	Head 3 Green	000 ⇄ 255	RGBW mode: 0–100% / CMY mode: 100%–0
-	-	38	32	35	Head 3 Blue	000 ⇄ 255	RGBW mode: 0–100% / CMY mode: 100%–0
-	-	39	33	36	Head 3 White	000 ⇄ 255	RGBW mode: 0–100% / CMY mode: 100%–0
-	-	-	34	37	Tilt 4	000 ⇄ 255	0–100%
-	-	-	35	38	Fine Tilt 4	000 ⇄ 255	0–100%
-	-	-	36	39	Continuous Tilt 4	000	No function
-	-	-	36	39		001 ⇄ 127	Counterclockwise rotation, slow to fast
-	-	-	36	39		128	Stop
-	-	-	36	39		129 ⇄ 255	Clockwise rotation, slow to fast

B	S	A	T	T2	Function	Value	Percent/Settings
-	-	-	-	40	Head 4 Dimmer	000 ⇄ 255	0–100%
-	-	40	37	41	Head 4 Red	000 ⇄ 255	RGBW mode: 0–100% / CMY mode: 100%–0
-	-	41	38	42	Head 4 Green	000 ⇄ 255	RGBW mode: 0–100% / CMY mode: 100%–0
-	-	42	39	43	Head 4 Blue	000 ⇄ 255	RGBW mode: 0–100% / CMY mode: 100%–0
-	-	43	40	44	Head 4 White	000 ⇄ 255	RGBW mode: 0–100% / CMY mode: 100%–0
-	-	-	41	45	Tilt 5	000 ⇄ 255	0–100%
-	-	-	42	46	Fine Tilt 5	000 ⇄ 255	0–100%
-	-	-	43	47	Continuous Tilt 5	000	No function
						001 ⇄ 127	Counterclockwise rotation, slow to fast
						128	Stop
						129 ⇄ 255	Clockwise rotation, slow to fast
-	-	-	-	48	Head 5 Dimmer	000 ⇄ 255	0–100%
-	-	44	44	49	Head 5 Red	000 ⇄ 255	RGBW mode: 0–100% / CMY mode: 100%–0
-	-	45	45	50	Head 5 Green	000 ⇄ 255	RGBW mode: 0–100% / CMY mode: 100%–0
-	-	46	46	51	Head 5 Blue	000 ⇄ 255	RGBW mode: 0–100% / CMY mode: 100%–0
-	-	47	47	52	Head 5 White	000 ⇄ 255	RGBW mode: 0–100% / CMY mode: 100%–0

### Dual Control Movement Values

Advanced (23 channels), Standard (17 channels), Basic (10 channels)

Basic	Standard	Advanced	Function	Value	Percent/Settings
1	1	1	Pan	000 ⇄ 255	0–100%
-	-	2	Fine Pan	000 ⇄ 255	0–100%
2	2	3	Continuous Pan	000	No function
				001 ⇄ 127	Counterclockwise rotation, slow to fast
				128	Stop
				129 ⇄ 255	Clockwise rotation, slow to fast
-	3	4	Tilt 1	000 ⇄ 255	0–100%
-	-	5	Fine Tilt 1	000 ⇄ 255	0–100%
-	4	6	Tilt 2	000 ⇄ 255	0–100%
-	-	7	Fine Tilt 2	000 ⇄ 255	0–100%
-	5	8	Tilt 3	000 ⇄ 255	0–100%
-	-	9	Fine Tilt 3	000 ⇄ 255	0–100%
-	6	10	Tilt 4	000 ⇄ 255	0–100%
-	-	11	Fine Tilt 4	000 ⇄ 255	0–100%
-	7	12	Tilt 5	000 ⇄ 255	0–100%
-	-	13	Fine Tilt 5	000 ⇄ 255	0–100%
-	8	14	Continuous Tilt 1	000	No function
				001 ⇄ 127	Counterclockwise rotation, slow to fast
				128	Stop
				129 ⇄ 255	Clockwise rotation, slow to fast
-	9	15	Continuous Tilt 2	000	No function
				001 ⇄ 127	Counterclockwise rotation, slow to fast
				128	Stop
				129 ⇄ 255	Clockwise rotation, slow to fast
-	10	16	Continuous Tilt 3	000	No function
				001 ⇄ 127	Counterclockwise rotation, slow to fast
				128	Stop
				129 ⇄ 255	Clockwise rotation, slow to fast
-	11	17	Continuous Tilt 4	000	No function
				001 ⇄ 127	Counterclockwise rotation, slow to fast
				128	Stop
				129 ⇄ 255	Clockwise rotation, slow to fast

# Operation



Basic	Standard	Advanced	Function	Value	Percent/Settings
-	12	18	Continuous Tilt 5	000	No function
				001 ⇄ 127	Counterclockwise rotation, slow to fast
				128	Stop
				129 ⇄ 255	Clockwise rotation, slow to fast
3	-	-	Tilt All	000 ⇄ 255	0–100%
4	-	-	Continuous Tilt All	000	No function
				001 ⇄ 127	Counterclockwise rotation, slow to fast
				128	Stop
				129 ⇄ 255	Clockwise rotation, slow to fast
5	-	-	Tilt Offset	000 ⇄ 255	Offset heads from each other, 0–360°
6	13	19	Tilt Macro	000 ⇄ 047	No function
				048 ⇄ 055	Tilt Macro 1
				056 ⇄ 063	Tilt Macro 2
				064 ⇄ 071	Tilt Macro 3
				072 ⇄ 079	Tilt Macro 4
				080 ⇄ 087	Tilt Macro 5
				088 ⇄ 095	Tilt Macro 6
				096 ⇄ 103	Tilt Macro 7
				104 ⇄ 111	Tilt Macro 8
				112 ⇄ 119	Tilt Macro 9
				120 ⇄ 127	Tilt Macro 10
				128 ⇄ 135	Tilt Macro 11
				136 ⇄ 143	Tilt Macro 12
				144 ⇄ 151	Tilt Macro 13
				152 ⇄ 159	Tilt Macro 14
				160 ⇄ 167	Tilt Macro 15
				168 ⇄ 175	Tilt Macro 16
				176 ⇄ 183	Tilt Macro 17
				184 ⇄ 191	Tilt Macro 18
				192 ⇄ 199	Tilt Macro 19
				200 ⇄ 207	Tilt Macro 20
				208 ⇄ 215	Tilt Macro 21
				216 ⇄ 223	Tilt Macro 22
				224 ⇄ 231	Tilt Macro 23
				232 ⇄ 239	Tilt Macro 24
				240 ⇄ 247	Tilt Macro 25
248 ⇄ 255	Tilt Macro 26				
7	14	20	Tilt Macro Speed	000 ⇄ 255	Fast to slow

Basic	Standard	Advanced	Function	Value	Percent/Settings
8	15	21	Dimmer	000 ⇄ 255	0–100%
				000 ⇄ 019	Off
				020 ⇄ 024	On
				025 ⇄ 064	Strobe 1, fast to slow
				065 ⇄ 069	On
				070 ⇄ 084	Strobe 2 (Fast on, slow off), fast to slow
				085 ⇄ 089	On
				090 ⇄ 104	Strobe 3 (Slow on, fast off), fast to slow
				104 ⇄ 109	On
				9	16
125 ⇄ 129	On				
130 ⇄ 144	Strobe 5 (Random fast on, slow off), fast to slow				
145 ⇄ 149	On				
150 ⇄ 164	Strobe 6 (Random slow on, fast off), fast to slow				
165 ⇄ 169	On				
170 ⇄ 184	Strobe 7 (Pulse), fast to slow				
185 ⇄ 189	On				
190 ⇄ 204	Strobe 8 (Random pulse), fast to slow				
205 ⇄ 209	On				
10	17	23	Control	210 ⇄ 224	Strobe 9 (Fade in, fade out), fast to slow
				225 ⇄ 229	On
				230 ⇄ 244	Strobe 10 (Random pulse), fast to slow
				245 ⇄ 255	On
				000 ⇄ 009	No function
				010 ⇄ 014	Manual tilt blackout
				015 ⇄ 019	Cancel manual tilt blackout
				020 ⇄ 024	1 fixture macro
				025 ⇄ 029	2 fixture macro 1
				030 ⇄ 034	2 fixture macro 2
035 ⇄ 039	4 fixture macro 1				
040 ⇄ 044	4 fixture macro 2				
045 ⇄ 049	4 fixture macro 3				
050 ⇄ 054	4 fixture macro 4				
055 ⇄ 059	Pan reset				
060 ⇄ 064	Tilt reset				
065 ⇄ 069	No function (reserved for future use)				
070 ⇄ 074	Reset all				
075 ⇄ 079	No function (reserved for future use)				
080 ⇄ 084	Pan/Tilt reverse				
085 ⇄ 089	Pan reverse				
090 ⇄ 094	Tilt reverse				
095 ⇄ 099	Cancel pan reverse				
100 ⇄ 104	Cancel tilt reverse				
105 ⇄ 109	Cancel pan/tilt reverse				
110 ⇄ 114	No function (reserved for future use)				
115 ⇄ 119	Link all heads to head 1				
120 ⇄ 124	Unlink all heads from head 1				
125 ⇄ 134	No function (reserved for future use)				
135 ⇄ 139	Dimmer speed mode fast				
140 ⇄ 144	Dimmer speed mode smooth				
145 ⇄ 255	No function				

## Dual Control Pixel Values

RGBW (20 channels), RGB (15 channels)

RGB	RGBW	Function	Value	Percent/Settings
1	1	Red 1	000 ⇄ 255	RGBW mode: 0–100% / CMY mode: 100%–0
2	2	Green 1	000 ⇄ 255	RGBW mode: 0–100% / CMY mode: 100%–0
3	3	Blue 1	000 ⇄ 255	RGBW mode: 0–100% / CMY mode: 100%–0
–	4	White 1	000 ⇄ 255	RGBW mode: 0–100% / CMY mode: 100%–0
4	5	Red 2	000 ⇄ 255	RGBW mode: 0–100% / CMY mode: 100%–0
5	6	Green 2	000 ⇄ 255	RGBW mode: 0–100% / CMY mode: 100%–0
6	7	Blue 2	000 ⇄ 255	RGBW mode: 0–100% / CMY mode: 100%–0
–	8	White 2	000 ⇄ 255	RGBW mode: 0–100% / CMY mode: 100%–0
7	9	Red 3	000 ⇄ 255	RGBW mode: 0–100% / CMY mode: 100%–0
8	10	Green 3	000 ⇄ 255	RGBW mode: 0–100% / CMY mode: 100%–0
9	11	Blue 3	000 ⇄ 255	RGBW mode: 0–100% / CMY mode: 100%–0
–	12	White 3	000 ⇄ 255	RGBW mode: 0–100% / CMY mode: 100%–0
10	13	Red 4	000 ⇄ 255	RGBW mode: 0–100% / CMY mode: 100%–0
11	14	Green 4	000 ⇄ 255	RGBW mode: 0–100% / CMY mode: 100%–0
12	15	Blue 4	000 ⇄ 255	RGBW mode: 0–100% / CMY mode: 100%–0
–	16	White 4	000 ⇄ 255	RGBW mode: 0–100% / CMY mode: 100%–0
13	17	Red 5	000 ⇄ 255	RGBW mode: 0–100% / CMY mode: 100%–0
14	18	Green 5	000 ⇄ 255	RGBW mode: 0–100% / CMY mode: 100%–0
15	19	Blue 5	000 ⇄ 255	RGBW mode: 0–100% / CMY mode: 100%–0
–	20	White 5	000 ⇄ 255	RGBW mode: 0–100% / CMY mode: 100%–0

## Operating Settings Configuration

### Home Screen

The Rogue R1 FX-B has a home screen that shows the current control protocols, personalities, starting addresses, IP addresses, and universes. To see the home screen, press **<MENU>** repeatedly until it shows on the display. From the home screen, touch any of the displayed control settings to immediately jump to that part of the menu, such as the personality, starting address, or universe, or press **<ENTER>** to reach the main menu.

### Test Mode

**Auto Test** To perform an auto test of the Rogue R1 FX-B functions, follow the instructions below:

1. Press **<MENU>** repeatedly until the [Home Screen](#) shows on the display. Press **<ENTER>**.
2. Use **<UP>**, **<DOWN>**, **<LEFT>**, or **<RIGHT>** to select **Test Mode**, or touch the display where it says **Test Mode**.
3. If using the buttons instead of the touchscreen, press **<ENTER>**.
4. Use **<UP>** or **<DOWN>** to select **Auto test**, or touch the display where it says **Auto test**.
5. Press **<ENTER>**.

**Manual Test** To test the functions of the product manually, do the following:

1. Press **<MENU>** repeatedly until the [Home Screen](#) shows on the display. Press **<ENTER>**.
2. Use **<UP>**, **<DOWN>**, **<LEFT>**, or **<RIGHT>** to select **Test Mode**, or touch the display where it says **Test Mode**.
3. If using the buttons instead of the touchscreen, press **<ENTER>**.
4. Use **<UP>** or **<DOWN>** to select **Manual test**, or touch the display where it says **Manual test**.
5. If using the buttons instead of the touchscreen, press **<ENTER>**.
6. Use **<UP>** or **<DOWN>** to select the function to test, from **Pan, Pan Speed, Pan 360, Tilt 1, Tilt 2, Tilt 3, Tilt 4, Tilt 5, Tilt Speed, Tilt 1 360, Tilt 2 360, Tilt 3 360, Tilt 4 360, Tilt 5 360, Dimmer, Shutter, Red, Green, Blue, White, Color, LED Macro**, or **LED Macro Speed**, or touch the display where it says the desired function.
7. If using the buttons instead of the touchscreen, press **<ENTER>**.
8. Change the value of the tested function with one of the following methods:
  - Type the desired value using the number pad that shows on the touchscreen display.
  - or
  - Use **<UP>**, **<RIGHT>**, **<DOWN>**, or **<LEFT>** to increase or decrease the value.
9. Press **<ENTER>**.

### Setup

To reach the **Setup** menu, follow the instructions below:

1. Press **<MENU>** repeatedly until the [Home Screen](#) shows on the display. Press **<ENTER>**.
2. Use **<UP>**, **<DOWN>**, **<LEFT>**, or **<RIGHT>** to select **Setup**, or touch the display where it says **Setup**.
3. If using the buttons instead of the touchscreen, press **<ENTER>**.

## Network Settings

**IP Mode** The IP address of the Rogue R1 FX-B can be set manually, by the network, or to a pre-set static address specific to each product. To set the IP Mode, follow the instructions below:

1. Navigate to the [Setup](#) menu.
2. Use <UP> or <DOWN> to select **Network Settings**, or touch the display where it says **Network Settings**.
3. If using the buttons instead of the touchscreen, press <ENTER>.
4. Use <UP> or <DOWN> to select **IP Mode**, or touch the display where it says **IP Mode**.
5. If using the buttons instead of the touchscreen, press <ENTER>.
6. Use <UP>, <DOWN>, <LEFT>, or <RIGHT> to select from:
  - **Manual** (set the IP address with the control panel),
  - **DHCP** (the network sets the IP address),
  - or
  - **Static** (a pre-set address specific to each product),
 or touch the display where it says the desired mode.
7. Press <ENTER>.

**IP Address** In **Manual IP Mode**, the IP address must be assigned through the product menu. To set the IP address in **Manual IP Mode**, do the following:

1. Navigate to the [Setup](#) menu.
2. Use <UP> or <DOWN> to select **Network Settings**, or touch the display where it says **Network Settings**.
3. If using the buttons instead of the touchscreen, press <ENTER>.
4. Use <UP> or <DOWN> to select **IP**, or touch the display where it says **IP**.
5. If using the buttons instead of the touchscreen, press <ENTER>.
6. Set the IP address (from **000.000.000.000** to **255.255.255.255**) with one of the following methods:
  - Through the touchscreen:
    - a. Touch the display where it shows the byte (set of three numbers) to be changed.
    - b. Use the number pad on the display to enter the desired number.
    - c. Repeat until the IP address is set as desired.
  - With the buttons:
    - a. Use <LEFT> or <RIGHT> to select the byte (set of three numbers) to be changed).
    - b. Use <UP> or <DOWN> to increase or decrease the value.
    - c. Repeat until the IP address is set as desired.
7. Press <ENTER>.

**Subnet Mask** In **Manual IP Mode**, the Subnet Mask must be assigned through the product menu. To set the Subnet Mask in **Manual IP Mode**, do the following:

1. Navigate to the [Setup](#) menu.
2. Use <UP> or <DOWN> to select **Network Settings**, or touch the display where it says **Network Settings**.
3. If using the buttons instead of the touchscreen, press <ENTER>.
4. Use <UP> or <DOWN> to select **SubMask**, or touch the display where it says **SubMask**.
5. If using the buttons instead of the touchscreen, press <ENTER>.
6. Set the Subnet Mask (from **000.000.000.000** to **255.255.255.255**) with one of the following methods.
  - Through the touchscreen:
    - a. Touch the display where it shows the byte (set of three numbers) to be changed.
    - b. Use the number pad on the display to enter the desired number.
    - c. Repeat until the Subnet Mask is set as desired.
  - With the buttons:
    - a. Use <LEFT> or <RIGHT> to select the byte (set of three numbers) to be changed).
    - b. Use <UP> or <DOWN> to increase or decrease the value.
    - c. Repeat until the Subnet Mask is set as desired.
7. Press <ENTER>.



**In DHCP or Static IP Mode, the IP and SubMask menu settings have no effect on the product.**



- Pan/Tilt Orientation** To set whether the pan or tilt orientation is normal or inverted:"
1. Navigate to the [Setup](#) menu.
  2. Use **<UP>** or **<DOWN>** to select **Pan Reverse** or **Tilt Reverse**, or touch the display where it says the desired setting.
  3. If using the buttons instead of the touchscreen, press **<ENTER>**.
  4. Use **<UP>**, **<DOWN>**, **<LEFT>**, or **<RIGHT>** to select **NO** (normal orientation) or **YES** (inverted orientation), or touch the display where it says the desired option.
  5. Press **<ENTER>**.
- Display Orientation** To set which way the display faces, do the following:
1. Navigate to the [Setup](#) menu.
  2. Use **<UP>** or **<DOWN>** to select **Screen Reverse**, or touch the display where it says **Screen Reverse**.
  3. If using the buttons instead of the touchscreen, press **<ENTER>**.
  4. Use **<UP>**, **<DOWN>**, **<LEFT>**, or **<RIGHT>** to select **NO** (display is normal), **YES** (display is inverted), or **AUTO** (the display automatically detects which way the product is facing and orients itself accordingly), or touch the display where it says the desired option.
  5. Press **<ENTER>**.
- Pan/Tilt Angle Range** To set the range of motion the pan or tilt is permitted:
1. Navigate to the [Setup](#) menu.
  2. Use **<UP>** or **<DOWN>** to select **Pan Angle** or **Tilt Angle**, or touch the display where it says the desired setting.
  3. If using the buttons instead of the touchscreen, press **<ENTER>**.
  4. Use **<UP>**, **<DOWN>**, **<LEFT>**, or **<RIGHT>** to select **540** (540°), **360** or **270** (360° or 270° for pan or tilt respectively) or **180** (180°), or touch the display where it says the desired option.
  5. Press **<ENTER>**.
- Blackout on Pan/Tilt Movement** To set whether the product will black out during pan or tilt movement, follow the instructions below:
1. Navigate to the [Setup](#) menu.
  2. Use **<UP>** or **<DOWN>** to select **BL. O. P/T Move**, or touch the display where it says **BL. O. P/T Move**.
  3. If using the buttons instead of the touchscreen, press **<ENTER>**.
  4. Use **<UP>**, **<DOWN>**, **<LEFT>**, or **<RIGHT>** to select **NO** (do not black out) or **YES** (black out during movement), or touch the display where it says the desired option.
  5. Press **<ENTER>**.
- Touchscreen Calibration** If the touchscreen is not responding correctly, it may need to be calibrated. To do so:
1. Navigate to the [Setup](#) menu.
  2. Use **<UP>** or **<DOWN>** to select **Calibration**, or touch the display where it says **Calibration**.
  3. If using the buttons instead of the touchscreen, press **<ENTER>**.
  4. Use **<UP>**, **<DOWN>**, **<LEFT>**, or **<RIGHT>** to select **NO** (do not calibrate) or **YES** (calibrate), or touch the display where it says the desired option.
  5. Press **<ENTER>**.
  6. Follow the instructions, touching the points as they appear on the display.
- Touchscreen Lock** To lock or unlock the touchscreen control panel, do the following:
1. Navigate to the [Setup](#) menu.
  2. Use **<UP>** or **<DOWN>** to select **Touchscreen Lock**, or touch the display where it says **Touchscreen Lock**.
  3. If using the buttons instead of the touchscreen, press **<ENTER>**.
  4. Use **<UP>**, **<DOWN>**, **<LEFT>**, or **<RIGHT>** to select **NO** (display will respond to touch) or **YES** (display will not respond to touch), or touch the display where it says the desired option.
  5. Press **<ENTER>**.

**Lock Screen** To completely lock or unlock the control panel, follow the instructions below:

1. Navigate to the [Setup](#) menu.
2. Use **<UP>** or **<DOWN>** to select **Lock Screen**, or touch the display where it says **Lock Screen**.
3. If using the buttons instead of the touchscreen, press **<ENTER>**.
4. Use **<UP>**, **<DOWN>**, **<LEFT>**, or **<RIGHT>** to select **NO** (control panel will not lock) or **YES** (control panel will require a passcode to access), or touch the display where it says the desired option.
5. Press **<ENTER>**.

To access the control panel when it has been locked:

1. Press **<MENU>**.
2. Enter the passcode **0920** using one of the following methods:
  - Through the touchscreen: use the number pad on the screen to enter **0920**.
  - With the buttons:
    - a. Use **<DOWN>** to select the number to be changed.
    - b. Use **<UP>** to increase the value.
    - c. Repeat until **0920** has been entered.
3. Press **<ENTER>**.

**Backlight Timer** To set the amount of time after inactivity before the display backlight turns off:

1. Navigate to the [Setup](#) menu.
2. Use **<UP>** or **<DOWN>** to select **Backlight Timer**, or touch the display where it says **Backlight Timer**.
3. If using the buttons instead of the touchscreen, press **<ENTER>**.
4. Use **<UP>**, **<DOWN>**, **<LEFT>**, or **<RIGHT>** to select **30S** (after 30 seconds of inactivity), **1M** (after 1 minute of inactivity), **5M** (after 5 minutes of inactivity), or **ON** (does not turn off), or touch the display where it says the desired option.
5. Press **<ENTER>**.

**Loss of Data** In case of an input signal being lost in any way, the Rogue R1 FX-B will respond in one of two ways. The product will either hold the last signal received, or black out all LED output.

To set which way the product responds, follow the instructions below:

1. Navigate to the [Setup](#) menu.
2. Use **<UP>** or **<DOWN>** to select **Loss of Data**, or touch the display where it says **Loss of Data**.
3. If using the buttons instead of the touchscreen, press **<ENTER>**.
4. Use **<UP>**, **<DOWN>**, **<LEFT>**, or **<RIGHT>** to select **Hold** (hold last signal received) or **Close** (black out all LED output), or touch the display where it says the desired option.
5. Press **<ENTER>**.

**Color Mixing Mode** The Rogue R1 FX-B has an additive color mixing mode, and a subtractive color mixing mode. In the additive color mixing mode, a value of 000 on a color LED channel gives zero output, and a value of 255 on that channel gives full output. In the subtractive color mixing mode, a value of 000 on a color LED channel gives full output, and a value of 255 on that channel gives zero output.

To set the color mixing mode:

1. Navigate to the [Setup](#) menu.
2. Use **<UP>** or **<DOWN>** to select **C Mixing Mode**, or touch the display where it says **C Mixing Mode**.
3. If using the buttons instead of the touchscreen, press **<ENTER>**.
4. Use **<UP>**, **<DOWN>**, **<LEFT>**, or **<RIGHT>** to select **RGBW** (additive color mixing), or **CMY** (subtractive color mixing), or touch the display where it says the desired option.
5. Press **<ENTER>**.


**Dimmer Curve** To set the dimmer curve, follow the instructions below:

1. Navigate to the [Setup](#) menu.
2. Use **<UP>** or **<DOWN>** to select **Dimmer Curve**, or touch the display where it says **Dimmer Curve**.
3. If using the buttons instead of the touchscreen, press **<ENTER>**.
4. Use **<UP>**, **<DOWN>**, **<LEFT>**, or **<RIGHT>** to select **Linear**, **Square**, **I Squa**, or **SCurve**, or touch the display where it says the desired option.
5. Press **<ENTER>**.

- Dimmer Speed** To set the dimmer speed, do the following:
1. Navigate to the [Setup](#) menu.
  2. Use **<UP>** or **<DOWN>** to select **Dimmer Speed**, or touch the display where it says **Dimmer Speed**.
  3. If using the buttons instead of the touchscreen, press **<ENTER>**.
  4. Use **<UP>**, **<DOWN>**, **<LEFT>**, or **<RIGHT>** to select **Smooth** or **Fast**, or touch the display where it says the desired option.
  5. Press **<ENTER>**.

- PWM Option** To set the PWM frequency, do the following:
1. Navigate to the [Setup](#) menu.
  2. Use **<UP>** or **<DOWN>** to select **PWM Option**, or touch the display where it says **PWM Option**.
  3. If using the buttons instead of the touchscreen, press **<ENTER>**.
  4. Use **<UP>**, **<DOWN>**, **<LEFT>**, or **<RIGHT>** to select **600Hz**, **1200Hz**, **2000Hz**, **4000Hz**, **6000Hz**, or **25000Hz**, or touch the display where it says the desired option.
  5. Press **<ENTER>**.

- Color Balance** To set the maximum values of a given color in the mix, follow the instructions below:
1. Navigate to the [Setup](#) menu.
  2. Use **<UP>** or **<DOWN>** to select **Color Balance**, or touch the display where it says **Color Balance**.
  3. If using the buttons instead of the touchscreen, press **<ENTER>**.
  4. Use **<UP>** or **<DOWN>**, to select the color value to be changed, from **Red**, **Green**, **Blue**, or **White**, or touch the display where it says the desired option.
  5. If using the buttons instead of the touchscreen, press **<ENTER>**.
  6. Set the color value with one of the following methods:
    - Type the desired value using the number pad that shows on the touchscreen display.
    - or
    - Use **<UP>**, **<RIGHT>**, **<DOWN>**, or **<LEFT>** to increase or decrease the value.
  7. Press **<ENTER>**.
  8. Repeat steps 4–7 until color balance is set as desired.

- Preset Select** This option saves 3 different preset menu option configurations. To record and set these presets follow the instructions below:
1. Navigate to the [Setup](#) menu.
  2. Use **<UP>** or **<DOWN>** to select **Preset Select**, or touch the display where it says **Preset Select**.
  3. If using the buttons instead of the touchscreen, press **<ENTER>**.
  4. Use **<UP>**, **<DOWN>**, **<LEFT>**, or **<RIGHT>** to select **PRESET A**, **PRESET B** or **PRESET C**, or touch the display where it says the desired option.
  5. Press **<ENTER>**.
  6. The product will reset. Any changes made to the menu options will be saved to this preset.
    - **Default is PRESET A. If you make changes inside PRESET A, those changes are saved to PRESET A without having to do anything.**
-  • **To create a new preset, highlight and select PRESET SELECT. Highlight PRESET B or PRESET C and press <ENTER>. When you make that selection, the product will reset automatically. Go back and make the changes you need to make in the menu. This will automatically save to the preset you are in.**

**Preset Sync** To sync all menu presets to other Rogue R1 FX-Bs, follow the instructions below:

1. Connect all Rogue R1 FX-B via DMX cable.
  2. Navigate to the [Setup](#) menu.
  3. Use **<UP>** or **<DOWN>** to select **Preset Sync**, or touch the display where it says **Preset Sync**.
  4. If using the buttons instead of the touchscreen, press **<ENTER>**.
  5. Select **YES** or touch the display where it says the desired option.
  6. Press **<ENTER>**.
- **To sync other Rogue R1 FX-Bs, you connect those products by a DMX cable.**
  - **The product can be in any control mode except WDMX. ArtNet, DMX, sACN are all acceptable.**
  - **All menu options are transferred, including the DMX address. Only the IP address is not affected in the other products.**



**Reset Functions** To reset the pan, tilt, or all functions as if from startup:

1. Navigate to the [Setup](#) menu.
2. Use **<UP>** or **<DOWN>** to select **Reset Function**, or touch the display where it says **Reset Function**.
3. If using the buttons instead of the touchscreen, press **<ENTER>**.
4. Use **<UP>** or **<DOWN>** to select the function to reset, from **Pan**, **Tilt**, or **All**, or touch the display where it says the desired option.
5. If using the buttons instead of the touchscreen, press **<ENTER>**.
6. Use **<UP>**, **<DOWN>**, **<LEFT>**, or **<RIGHT>** to select from **NO** (do not reset) or **YES** (reset), or touch the display where it says the desired option.
7. Press **<ENTER>**.

**Factory Reset** To restore the Rogue R1 FX-B to factory default settings, do the following:

1. Navigate to the [Setup](#) menu.
2. Use **<UP>** or **<DOWN>** to select **Factory Settings**, or touch the display where it says **Factory Settings**.
3. If using the buttons instead of the touchscreen, press **<ENTER>**.
4. Use **<UP>**, **<DOWN>**, **<LEFT>**, or **<RIGHT>** to select **NO** (do not reset) or **YES** (reset to factory settings), or touch the display where it says the desired option.
5. Press **<ENTER>**.

## System Information

All information about the current status of the Rogue R1 FX-B is available through the product's **Sys Info** menu. To view this information, follow the instructions below:

1. Press **<MENU>** repeatedly until the [Home Screen](#) shows on the display. Press **<ENTER>**.
2. Use **<UP>**, **<DOWN>**, **<LEFT>**, or **<RIGHT>** to select **Sys Info**, or touch the display where it says **Sys Info**.
3. If using the buttons instead of the touchscreen, press **<ENTER>**.
4. Use **<UP>** or **<DOWN>** to select from **Fixture Information** (shows firmware version, running mode, starting address, etc.), **Error Information** (shows any errors or No Error!), or **Channel Information** (shows the current value of all signal input channels) or touch the display where it says the desired option.
5. Press **<ENTER>**.
6. Use **<UP>** or **<DOWN>** to scroll through the information.

**Offset Mode** The Offset mode provides fine adjustments for the home position of all the moving parts in the optical path as well as the pan and tilt movements. This way, when in their home position, the moving parts do not show any border or reduce the light output.

1. Starting from the Main Level screen, press and hold **<MENU>** until the passcode screen appears.
2. Enter the passcode **2323** using one of the following methods:
  - Through the touchscreen: use the number pad on the screen to enter **2323**.
  - With the buttons:
    - a. Use **<DOWN>** to select the number to be changed.
    - b. Use **<UP>** to increase the value.
    - c. Repeat until **2323** has been entered.
3. Press **<ENTER>**.

This brings you into the Zero Adjust menu screen.

**PAN** To adjust the starting point of the pan motor, follow the instructions below:

1. Use **<UP>** or **<DOWN>** to select **PAN**.
2. Press **<ENTER>**.
3. Use **<UP>** or **<DOWN>** to increase or decrease the starting value, from **000–255**.
4. Press **<ENTER>**.

**TILT** To adjust the starting point of any of the tilt motors, do the following:

1. Use **<UP>** or **<DOWN>** to select **TILT1**, **TILT2**, **TILT3**, **TILT4**, or **TILT5**.
2. Press **<ENTER>**.
3. Use **<UP>** or **<DOWN>** to increase or decrease the starting value, from **000–255**.
4. Press **<ENTER>**.

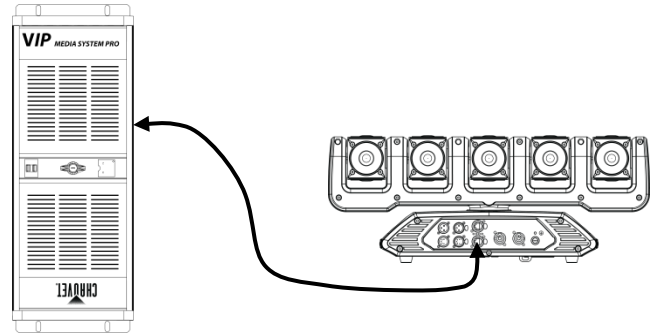
**MAC Address** To assign the fourth, fifth, or sixth digit of the MAC address, follow the instructions below:

1. Use **<UP>** or **<DOWN>** to select **MAC4**, **MAC5**, or **MAC6**.
2. Press **<ENTER>**.
3. Use **<UP>** or **<DOWN>** to increase or decrease the value, from **000–255**.
4. Press **<ENTER>**.

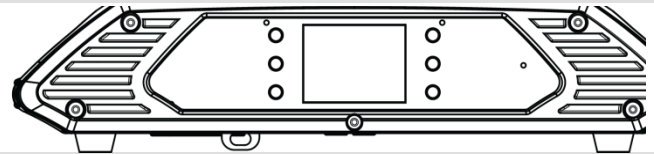
# 5. Firmware Update

The following steps apply to the Windows® 7 operating system:

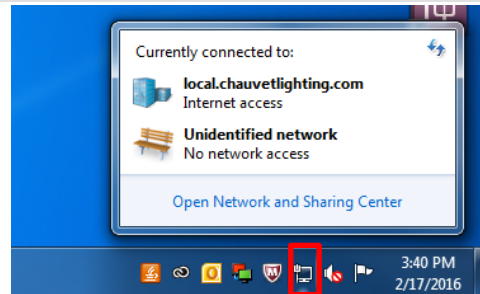
- Step 1**
1. Connect the Rogue R1 FX-B to a computer with an ethernet cable.
  2. Verify the network with the Rogue R1 FX-B is connected to the computer.



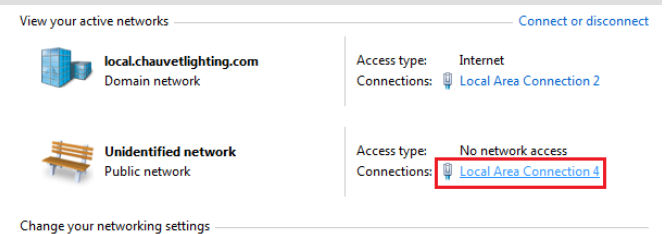
- Step 2**
1. Set the control protocol on the Rogue R1 FX-B to **ArtNet** in **Single Control** mode. (See [Single Control Protocol](#))
  2. Set the **IP Mode** to **Static**. (See [IP Mode](#))



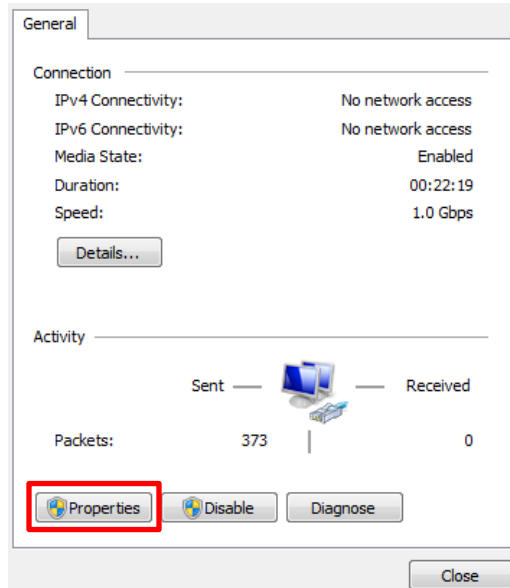
- Step 3**
- On the computer, open the Network and Sharing Center (through the Start Menu, the Control Panel, or the Network icon on the right side of the Taskbar).



- Step 4**
- Select the network which the product is connected to by clicking the blue text that corresponds to that network on the right side of the window.

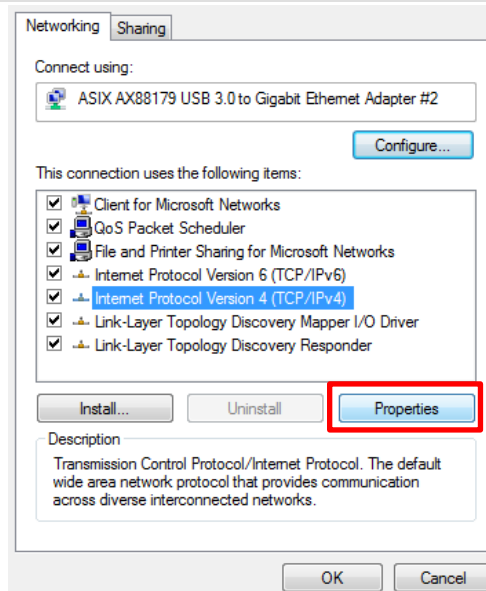


**Step 5** Click **Properties** on the **Status** window that pops up.



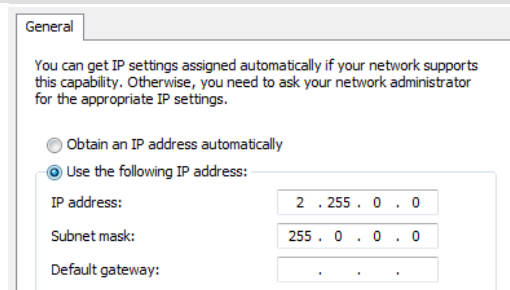
**Step 6** On the **Properties** window:

1. Click on **Internet Protocol Version 4 (TCP/IPv4)** to select it.
2. Click **Properties**.

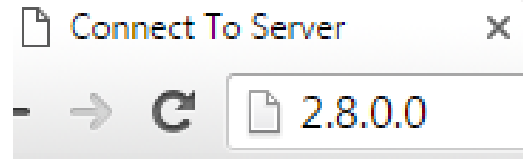


**Step 7** On the **TCP/IPv4 Properties** window:

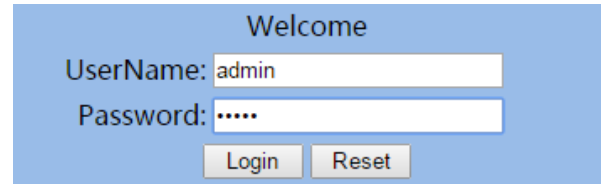
1. Select **Use the following IP address**:
2. Type **2.255.0.0** into the **IP address** bar.
3. Press **<Tab>** on your keyboard. The **Subnet mask** bar should automatically populate as **255.0.0.0**. If not, then enter it manually.
4. Ignore the **Default gateway** bar.



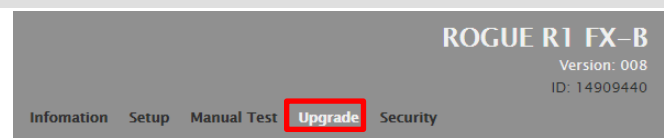
- Step 8**
1. View the Home Screen on the Rogue R1 FX-B. (see [Home Screen](#))
  2. Open the internet browser on the computer.
  3. Enter the IP address from the Rogue R1 FX-B display into the URL bar of the internet browser. (For example, if the display of the product reads **2.8.0.0**, enter **2.8.0.0** into the URL bar of the internet browser.)



- Step 9** On the **Welcome** screen:
1. Enter **admin** as both the **User Name** and **Password**. No capital letters.
  2. Press **Log In** on the screen, or **<Enter>** on the keyboard.
- If the user name and password do not work, reset the product to factory defaults. (see [Factory Reset](#))



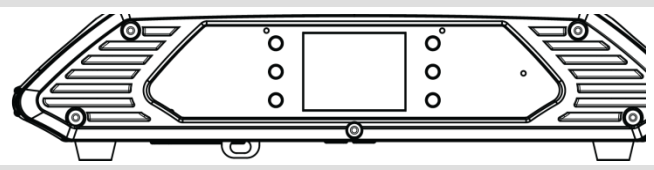
- Step 10** On the page that appears, click **Upgrade**.



- Step 11**
1. Click **Choose File** on the Rogue R1 FX-B Upgrade page.
  2. In the File Explorer window that pops up, select the Firmware Upgrade file from the website and click **Open**.
  3. Click **Upload File**.
- A **Downloading** message will appear on the product's display. Once the product finishes installing the firmware, it will reset.  
Do NOT turn the product off during this process.



- Step 12** On the Rogue R1 FX-B:
1. Verify the firmware has been updated by navigating to **Sys Info** ([System Information](#)) and checking that the version number matches the name of the file on the computer.



- Step 13** Disconnect the Rogue R1 FX-B from the computer. The firmware update is complete.



**The examples shown are for illustrative purposes.**



## 6. Technical Information

### Product Maintenance

To maintain optimum performance and minimize wear, you should clean this product frequently. Usage and environment are contributing factors in determining the cleaning frequency.

As a rule, clean this product at least twice a month. Dust build-up reduces light output performance and can cause overheating. This can lead to reduced light source life and increased mechanical wear.

To clean your product:

1. Unplug the product from power.
2. Wait until the product is at room temperature.
3. Use a vacuum (or dry compressed air) and a soft brush to remove dust collected on the external vents.
4. Clean all external surfaces with a mild solution of non-ammonia glass cleaner or isopropyl alcohol.
5. Apply the solution directly to a soft, lint-free cotton cloth or a lens cleaning tissue.
6. Wipe any dirt or grime to the outside edges of the lens surface.
7. Gently polish the lens surfaces until they are free of haze and lint.



**Always dry the external surfaces thoroughly and carefully after cleaning them.**



**Do not spin the cooling fans by blowing compressed air into them.**

# 7. Technical Specifications

<b>Dimensions and Weight</b>	<b>Length</b>	<b>Width</b>	<b>Height</b>	<b>Weight</b>		
	25.19 in (640 mm)	7.05 in (179 mm)	9.72 in (247 mm)	24.2 lb (11 kg)		
<b>Note:</b> Dimensions in inches rounded to the nearest decimal digit.						
<b>Electrical</b>	<b>Power Supply Type</b>	<b>Range</b>		<b>Voltage Selection</b>		
	Switching (internal)	100–240 VAC, 50/60 Hz		Auto-ranging		
<b>Light Source</b>	<b>Parameter</b>	<b>100 VAC, 60 Hz</b>	<b>120 VAC, 60 Hz</b>	<b>208 VAC, 60 Hz</b>	<b>230 VAC, 50 Hz</b>	<b>240 VAC, 60 Hz</b>
	Consumption	179 W	176 W	171 W	167 W	162 W
	Current	1.83 A	1.48 A	0.796 A	0.757 A	0.713 A
	Power linking current (products)	12 A (6 products)	12 A (8 products)	12 A (15 products)	12 A (16 products)	12 A (16 products)
	Fuse/Breaker	F 3 A, 250 V	F 3 A, 250 V	F 3 A, 250 V	F 3 A, 250 V	F 3 A, 250 V
	<b>Power I/O</b>	<b>U.S./Canada</b>		<b>Worldwide</b>		
	Power input connector	Neutrik® powerCON® A		Neutrik® powerCON® A		
	Power output connector	Neutrik® powerCON® B		Neutrik® powerCON® B		
	Power cord plug	Edison (U.S.)		Local plug		
	<b>Photo Optic</b>	<b>Type</b>	<b>Power</b>		<b>Lifespan</b>	
LED		15 W		50,000 hours		
<b>Color</b>		<b>Quantity</b>		<b>Current</b>		
<b>DMX</b>	Quad-color RGBW	5		4 A		
	<b>Installed Optics</b>	<b>Beam Angle</b>		<b>Field Angle</b>		
	5°	6.2°		10.1°		
	<b>Cutoff Angle</b>	<b>Illuminance @ 5 m</b>				
<b>Art-Net™</b>	12.7°	6,008 lux				
	<b>I/O Connector</b>	<b>Channel Range</b>				
<b>ArKaos Kling-Net</b>	3- and 5-pin XLR	9, 15, 17, 18, 20, 23, 25, or 47				
	<b>I/O Connector</b>	<b>Channel Range</b>				
<b>Thermal</b>	Neutrik® etherCON®	9, 15, 17, 18, 20, 23, 25, or 47				
	<b>I/O Connector</b>	<b>Channel Range</b>				
<b>Ordering</b>	Neutrik® etherCON®	Determined per ArKaos MediaMaster software				
	<b>Max. External Temperature</b>	<b>Cooling System</b>				
<b>Ordering</b>	113 °F (45 °C)	Fan-Assisted Convection				
	<b>Product Name</b>	<b>Item Name</b>	<b>Item Code</b>	<b>UPC Number</b>		
	Rogue R1 FX-B	ROGUER1FXB	08011203	781462215514		



UL 1573  
CSA C22.2 No. 166  
E113093



# Contact Us

General Information	Technical Support
<b>Chauvet World Headquarters</b>	
Address: 3360 Davie Rd. Davie, FL 33314 Voice: (954) 577-4455 Fax: (954) 929-5560 Toll free: (800) 762-1084	Voice: (844) 393-7575 Email: <a href="mailto:chauvetcs@chauvetlighting.com">chauvetcs@chauvetlighting.com</a>  Website: <a href="http://www.chauvetprofessional.com/">http://www.chauvetprofessional.com/</a>
<b>Chauvet U.K.</b>	
Address: Unit 1C Brookhill Road Industrial Estate Pinxtton, Nottingham, UK NG16 6NT Voice: +44 (0)1773 511115	Email: <a href="mailto:uktech@chauvetlighting.com">uktech@chauvetlighting.com</a>  Website: <a href="http://www.chauvetlighting.co.uk">www.chauvetlighting.co.uk</a>
<b>Chauvet Benelux</b>	
Address: Stokstraat 18 9770 Kruishoutem Belgium Voice: +32 9 388 93 97	Email: <a href="mailto:Eutech@chauvetlighting.com">Eutech@chauvetlighting.com</a>  Website: <a href="http://www.chauvetlighting.eu">www.chauvetlighting.eu</a>
<b>Chauvet France</b>	
Address: 3, Rue Ampère 91380 Chilly-Mazarin France Voice: +33 1 78 85 33 59	Email: <a href="mailto:Eutech@chauvetlighting.com">Eutech@chauvetlighting.com</a>  Website: <a href="http://www.chauvetlighting.eu">www.chauvetlighting.eu</a>
<b>Chauvet Germany</b>	
Address: Bruno-Bürgerl-Str. 11 28759 Bremen Germany Voice: +49 421 62 60 20	Email: <a href="mailto:Eutech@chauvetlighting.com">Eutech@chauvetlighting.com</a>  Website: <a href="http://www.chauvetlighting.eu">www.chauvetlighting.eu</a>
<b>Chauvet Mexico</b>	
Address: Av. de las Partidas 34-3B (Entrance by Calle 2) Zona Industrial Lerma Lerma, Mexico C.P. 52000 Voice: +52 (728) 690-2010	Email: <a href="mailto:servicio@chauvet.com.mx">servicio@chauvet.com.mx</a>  Website: <a href="http://www.chauvet.com.mx">www.chauvet.com.mx</a>

## Warranty & Returns

For warranty terms and conditions and return information, please visit our [website](http://www.chauvetlighting.com/warranty-registration).

For Customers in the United States and Mexico: [www.chauvetlighting.com/warranty-registration](http://www.chauvetlighting.com/warranty-registration).

For Customers in the United Kingdom, Republic of Ireland, Belgium, the Netherlands, Luxembourg, France, and Germany: [www.chauvetlighting.eu/warranty-registration](http://www.chauvetlighting.eu/warranty-registration).